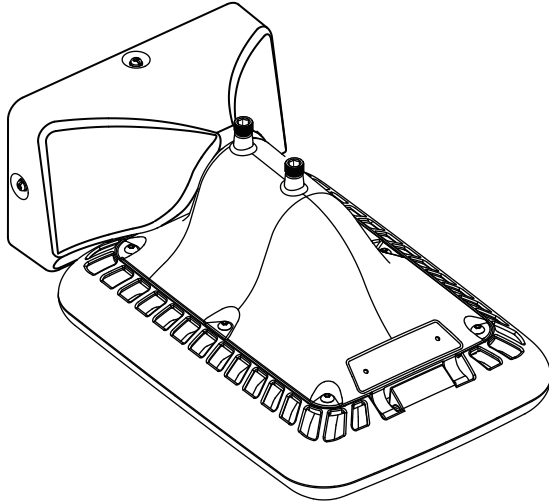


ILX3525 Series LED Industrial Lighting



INSTALLATION GUIDE W90 - 90° Wall Mount Elbow



ITEMS INCLUDED FOR INSTALLATION

- One ILX3525 LED Industrial Light with W90 Mounting System
- One (W90) 90° Wall Mount Elbow Bracket
- Four sets of anchoring kit for concrete surfaces
- One standard wire fitting for junction-box knockout hole
- Installation manual

FEATURES AND APPLICATIONS

- L70 Rating @ Ta 25°C Over 150,000 hour rated life
- Low - Mid Bay applications
- Available in Type II, V Square
- 10-Year Limited Warranty
- IP68 - waterproof rated fixture
- Indoor / outdoor applications
- Low profile industrial grade design
- Easy to install with versatile mounting system
- Food Processing Plants
- Billboards
- Warehouses
- Parking Structures
- Canopy Lighting
- Tunnels
- Mining
- Refineries & Petrochemical Plants



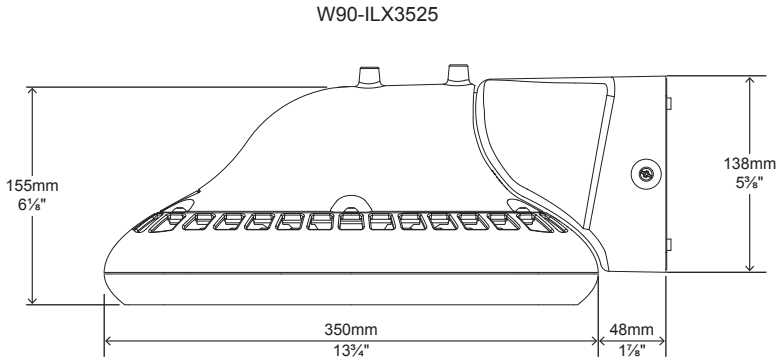
CE IP68

ILX3525 Series LED Industrial Lighting



INSTALLATION GUIDE W90 - 90° Wall Mount Elbow

External Dimensions



Packaging Information

Case Quantity	Dimensions (LxWxH)	Weight
1	38.5 x 28.5 x 23 cm 15 1/8 x 11 1/4 x 9 in	6.2 kg 13.6 lbs

WARNING

RISK OF ELECTRIC SHOCK

- Installation must be done by a certified electrician and / or qualified personnel.
- Make sure to turn OFF the main power from the circuit breaker or fuse box before installing, servicing or inspecting this fixture.
- Make sure all grounding wires are connected correctly.

RISK OF FIRE

- Ensure that all line voltage wire is intended for specified product wattage.
- Use UL and/or CE approved wires for all input connections, minimum size required 18 AWG (0.82mm²)
- Do not use this product in environments where the temperatures could exceed **60°C (140°F)**

* BEFORE YOU INSTALL this fixture please read these instructions carefully and completely



CE IP68

02

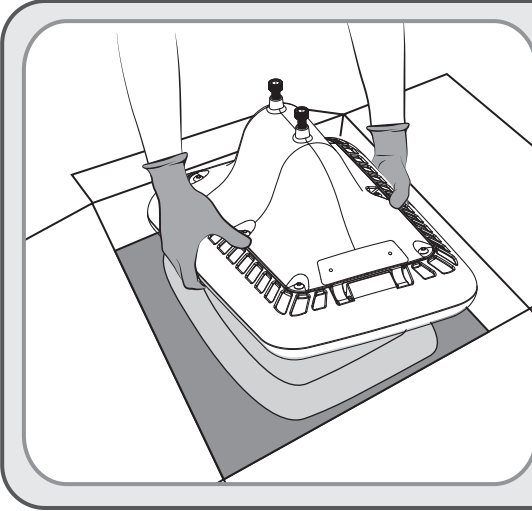
Made in Taiwan
Designed and Engineered in the USA

ILX3525 Series LED Industrial Lighting



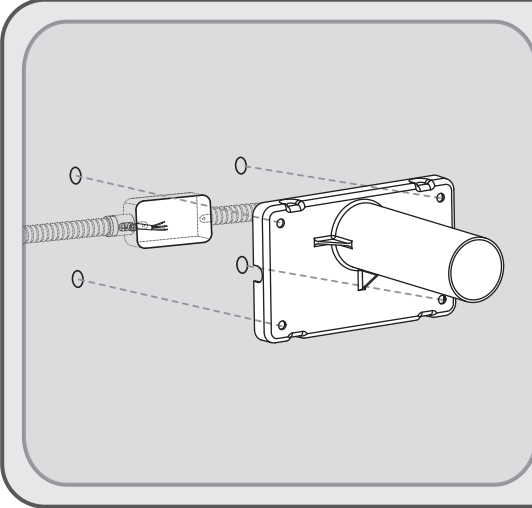
INSTALLATION GUIDE W90 - 90° Wall Mount Elbow

1.



- Handle fixture with care while unpacking the unit from its packaging and carefully examine the unit for defects before installing. Report any damage and save all packing materials if any part is damaged during transport. We recommend wearing work gloves when installing this fixture to prevent dirt and oil from coming into contact with the fixture.

2.



- Use the W90 Mounting Bracket as a template to mark the screw holes location onto the intended surface covering over the junction-box.



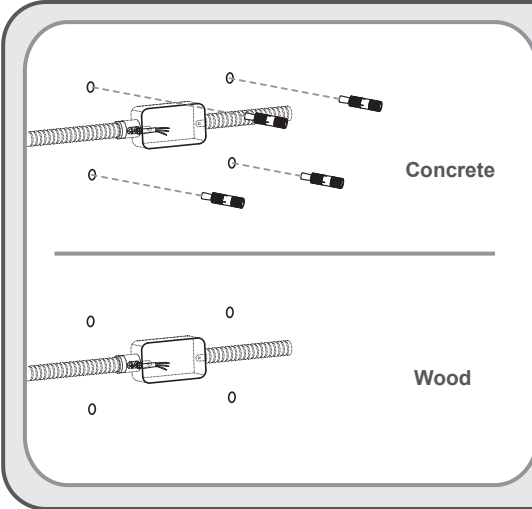
CE IP68

ILX3525 Series LED Industrial Lighting



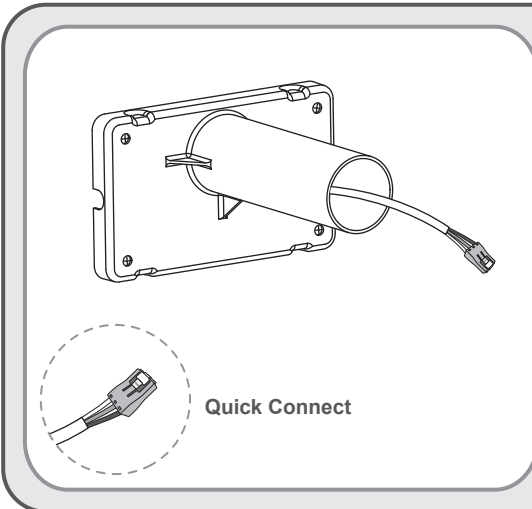
INSTALLATION GUIDE W90 - 90° Wall Mount Elbow

3.



- For concrete surfaces use a $\text{Ø}3/8''$ (10mm) drill bit and drill holes 1-3/8" (35mm) deep at the marked locations. (Make sure that all dimensions are precise)
- Hammer all four concrete anchors into the four drilled holes until they are flush with the surface.
- For wooden surfaces use a $\text{Ø}1/4''$ (7.0mm) drill bit and drill holes 1-3/8" (35mm) deep at the marked locations.

4.



- Connect the AC input extension cable wire to power at the junction-box.
- Mount the bracket onto the intended surface, make sure that the AC input cable wire passes through the clearance hole and out through the pipe.
- For concrete surfaces align and tighten the W90 Wall Mount Elbow Bracket onto the anchors with hexagon bolts and washers provided in the kit.
- For wood surfaces align and tighten the W90 Wall Mount Elbow Bracket onto the intended surface with hexagon bolts and washers provided in the kit.



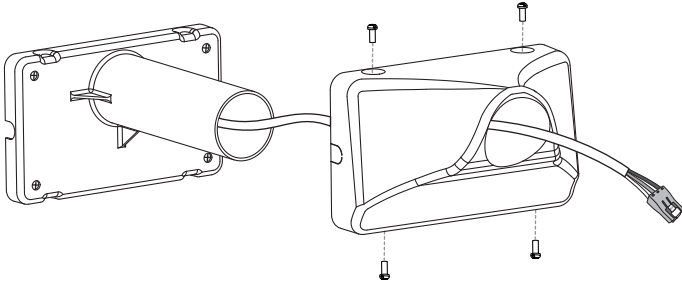
CE IP68

ILX3525 Series LED Industrial Lighting



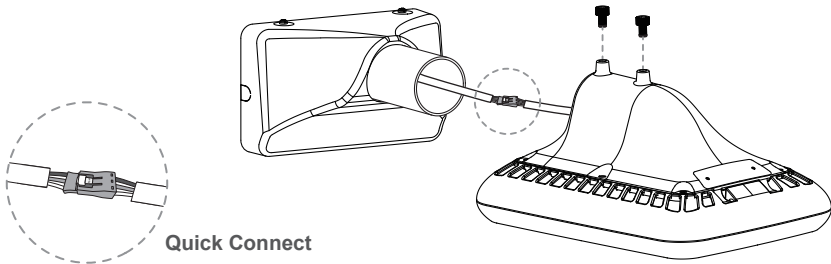
INSTALLATION GUIDE W90 - 90° Wall Mount Elbow

5.



- Tighten the cover firmly over the mounting bracket with the four screws provided in the mounting kit assembly.

6.



- Connect the fixture to the AC input extension cable via the quick connector provided in the fixture kit.
- Align the fixture mounting hole with the pipe and firmly insert the fixture onto the pipe until it is completely in.
- Make sure that all wires are cleared.
- Tighten the two hexagon bolts on top of the fixture to firmly anchor the fixture onto the pipe.



CE IP68

05

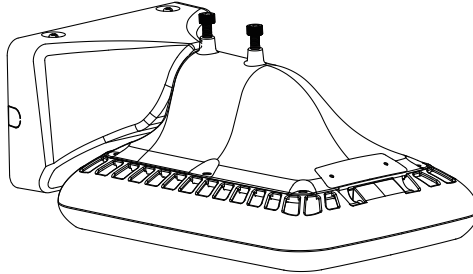
Made in Taiwan
Designed and Engineered in the USA

ILX3525 Series LED Industrial Lighting



INSTALLATION GUIDE W90 - 90° Wall Mount Elbow

7.



Warning!

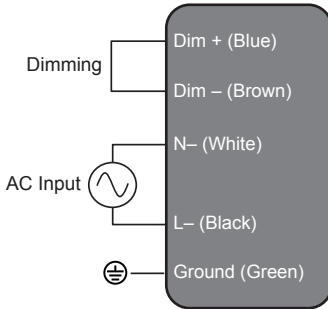
- Before connecting any AC input electrical wiring to the electric grid make sure to turn OFF power to all appropriate circuit at the breaker box.
- Carefully unscrew and remove the junction-box cover.
- Insert AC line input wires through the knock out hole. Install proper electrical fittings at the knockout hole for wire protection, provided with the installation kit. Nominal strip length with 5/8" (15 mm) long.
- Connect the AC input line (L) wire to the corresponding marked AC line (**L-BLACK**) wire with a wire nut. Connect the AC input neutral (N) wire to the corresponding marked AC neutral (**N-WHITE**) wire with a wire nut. Ground fixture by connecting the input ground wire (⊕) to the corresponding marked ground wire (⊕ - **GREEN**) on the quick connect terminal block.
- Firmly tighten junction-box cover before testing the fixture.

ILX3525 Series LED Industrial Lighting



INSTALLATION GUIDE W90 - 90° Wall Mount Elbow

Wiring Information



- NOTE:**
- Ensure that all line voltage wire is intended for specified product wattage.
 - Use UL and / or CE approved wires for all input connections, minimum size required 18 AWG (0.82mm²)
 - Refer to the specific dimmer installation manual for exact wiring instructions.

WARNING

RISK OF ELECTRIC SHOCK

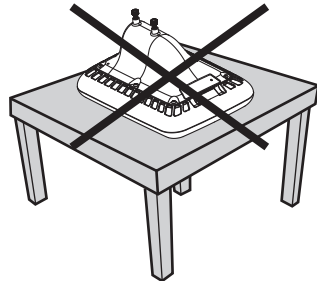
- Installation must be done by a certified electrician and / or qualified personnel.
- Make sure to turn OFF the main power from the circuit breaker or fuse box before installing, servicing or inspecting this fixture.
- Make sure all grounding wires are connected correctly.

RISK OF FIRE

- Ensure that all line voltage wire is intended for specified product wattage.
- Use UL and / or CE approved wires for all input connections, minimum size required 18 AWG (0.82mm²)
- Do not use this product in environments where the temperatures could exceed **60°C (140°F)**

NOTE

- While the fixture is **ON**, do not cover the front surface of the light fixture or place it on any flat surfaces that would cover the front air ventilation holes for more than 30 minutes. This will prevent the fixture from properly cooling via air convection and can cause the fixture to overheat & fail.



* BEFORE YOU INSTALL this fixture please read these instructions carefully and completely