

# CB Series

## LED Area-Site Corn Light Bulb



### Advantages of CB E40

- Technologically Advanced LED E40 standard light bulbs
- Small footprint design available in 20 & 40 watt configurations
- Standard E26 & E40 corn bulb retrofit solution
- Cost effective solution with a short ROI period, ideal for budgetary lighting projects
- Ultra-bright high efficacy of up to 165lm / W
- Operating temperature range of -20°C ~ 45°C
- Ballast free direct AC operation for low maintenance cost
- 360° spherical wide-angle optics with 80CRI
- L70 Rating  $\geq$  40,000 hours and 5-year limited warranty
- Designed and engineered in the USA



Years Warranty



Wet Location

### Applications

- Manufacturing & Construction Sites
- Parking Lots
- Park & Playgrounds
- Walkways
- Building sites
- Campuses

# CB Series

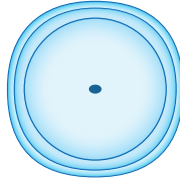
## LED Area-Site Corn Light Bulb

### Optics Options

**SC - Spherical Round Clear** / spherical symmetric for area lighting, parking garages and wide flood applications

---

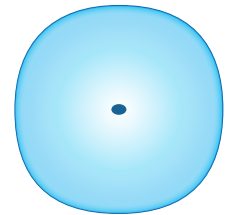
**M - Medium**



**SF - Spherical Round Frosted** / spherical symmetric for ultra uniform & low glare applications

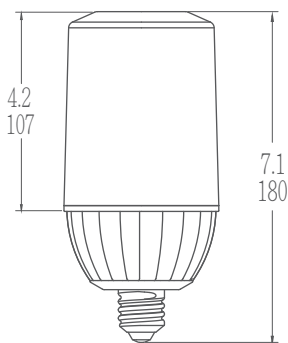
---

**L - Long**

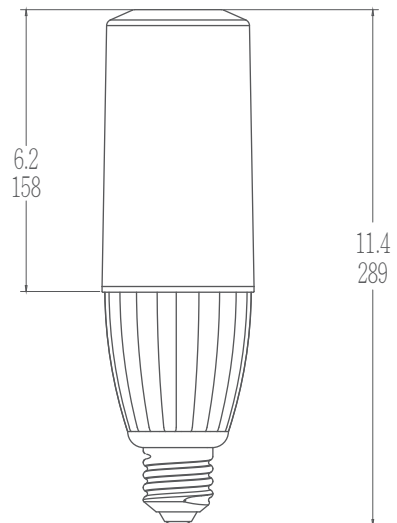


### External Dimensions

**CB E26 / E27**



**CB E40**



# CB Series

## LED Area-Site Corn Light Bulb - 20Watts

### Ordering Information

CB	Wattage	Voltage	Optics	CCT	Mounting
	020 = 20 Watt 040 = 40 Watt	UV = 100-277VAC HV = 200-480VAC	SCM = Spherical Clear Medium SFL= Spherical Frosted Long	30 = 3000K 40 = 4000K 50 = 5000K	E26 = E26 Socket E40 = E40 Socket

NOTE: White is the standard color for socket and housing.

### Example

Part Number	Part Description
<b>CB020UV-SCM-50E26</b>	LED Area Light Bulb / 20 Watt / 100-277VAC / Spherical Clear Medium / 5000K Cool White / E26 Socket

### Packaging Information

Model	Case Quantity	Dimensions (LxWxH)	Weight
CB020-E26 Socket	18	32 x 32 x 40 cm 12.6 x 12.6 x 15.8 in	11.6 kg 25.5 lbs



# CB Series

## LED Area-Site Corn Light Bulb - 20Watt

### Specification - Spherical Clear Medium

Fixture Watts	20 W
Lumens (Total) *	3,300 lm
Efficacy *	165 lm / W
Number of LEDs & Driving Current	108@65mA
Bulb Socket	E26 / E27
T <sub>s</sub> - Solder Point Temp *	62°C / 144°F
L70 Rating @ T <sub>a</sub> 25°C	> 50K hours
Operational Temperature (T <sub>a</sub> )	-25° ~ 45°C / -13° ~ 113°F
Input Voltage	100~277VAC 47~63Hz Optional 200~480VAC
LED Model	Nichia / Lumileds
CRI	> 85
Lighting Control	Non Dimmable
Storage Temperature	-25° ~ 80°C / -13° ~ 176°F
Transient Surge Protection	6kV / 3kA ( L-L, L-G)
Warranty	5-Year Limited

\* Test data @ T<sub>a</sub>: 25°C. All lumen values have ±7% tolerance  
NOTE: Light intensities measured directly below fixture

### Specification - Spherical Frosted Long

Fixture Watts	20 W
Lumens (Total) *	2,980 lm
Efficacy *	149 lm / W
Number of LEDs & Driving Current	108@65mA
Bulb Socket	E26 / E27
T <sub>s</sub> - Solder Point Temp *	64°C / 147°F
L70 Rating @ T <sub>a</sub> 25°C	> 50K hours
Operational Temperature (T <sub>a</sub> )	-25° ~ 45°C / -13° ~ 113°F
Input Voltage	100~277VAC 47~63Hz Optional 200~480VAC
LED Model	Nichia / Lumileds
CRI	> 85
Lighting Control	Non Dimmable
Storage Temperature	-25° ~ 80°C / -13° ~ 176°F
Transient Surge Protection	6kV / 3kA ( L-L, L-G)
Warranty	5-Year Limited

\* Test data @ T<sub>a</sub>: 25°C. All lumen values have ±7% tolerance  
NOTE: Light intensities measured directly below fixture