

CB Series

LED Area-Site Corn Light Bulb



Advantages of CB E40

- Technologically Advanced LED E40 standard light bulbs
- Small footprint design available in 20 & 40 watt configurations
- Standard E26 & E40 corn bulb retrofit solution
- Cost effective solution with a short ROI period, ideal for budgetary lighting projects
- Ultra-bright high efficacy of up to 165lm / W
- Operating temperature range of -20°C ~ 45°C
- Ballast free direct AC operation for low maintenance cost
- 360° spherical wide-angle optics with 80CRI
- L70 Rating ≥ 40,000 hours and 5-year limited warranty
- Designed and engineered in the USA

Applications

- Manufacturing & Construction Sites
- Parking Lots
- Park & Playgrounds
- Walkways
- Building sites
- Campuses



Years Warranty



Wet Location

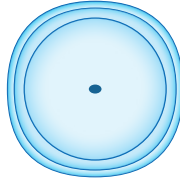
CB Series

LED Area-Site Corn Light Bulb

Optics Options

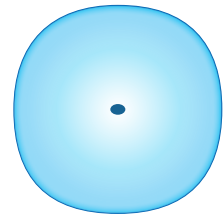
SC - Spherical Round Clear / spherical symmetric for area lighting, parking garages and wide flood applications

M - Medium



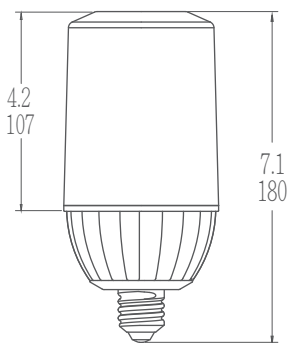
SF - Spherical Round Frosted / spherical symmetric for ultra uniform & low glare applications

L - Long

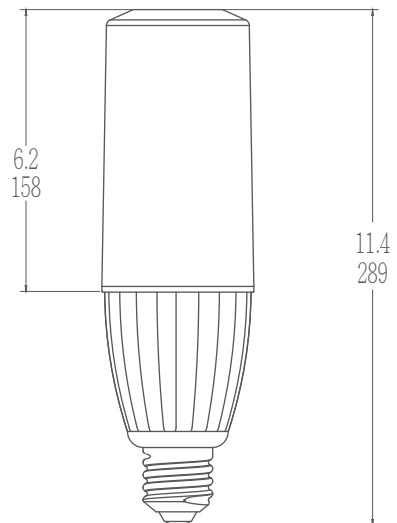


External Dimensions

CB E26 / E27



CB E40



CB Series

LED Area-Site Corn Light Bulb - 40Watts

Ordering Information

CB	Wattage	Voltage	Optics	CCT	Mounting
	020 = 20 Watt 040 = 40 Watt	UV = 100-277VAC HV = 200-480VAC	SCM = Spherical Clear Medium SFL= Spherical Frosted Long	30 = 3000K 40 = 4000K 50 = 5000K	E26 = E26 Socket E40 = E40 Socket

NOTE: White is the standard color for socket and housing.

Example

Part Number	Part Description
CB040UV-SCM-50E26	LED Area Light Bulb / 40 Watt / 100-277VAC / Spherical Clear Medium / 5000K Cool White / E26 Socket

Packaging Information

Model	Case Quantity	Dimensions (LxWxH)	Weight
CB040-E40 Socket	9	32 x 32 x 32 cm 12.6 x 12.6 x 12.6 in	7.8 kg 17.2 lbs



CB Series

LED Area-Site Corn Light Bulb - 40Watt

Specification - Spherical Clear Medium

Fixture Watts	40 W
Lumens (Total) *	6,600 lm
Efficacy *	165 lm / W
Number of LEDs & Driving Current	215@65mA
Bulb Socket	E40
T _s - Solder Point Temp *	71°C / 160°F
L70 Rating @ T _a 25°C	> 40K hours
Operational Temperature (T _a)	-25° ~ 45°C / -13° ~ 113°F
Input Voltage	100~277VAC 47~63Hz Optional 200~480VAC
LED Model	Nichia / Lumileds
CRI	> 85
Lighting Control	Non Dimmable
Storage Temperature	-25° ~ 80°C / -13° ~ 176°F
Transient Surge Protection	6kV / 3kA (L-L, L-G)
Warranty	5-Year Limited

* Test data @ T_a: 25°C. All lumen values have ±7% tolerance
NOTE: Light intensities measured directly below fixture

Specification - Spherical Frosted Long

Fixture Watts	40 W
Lumens (Total) *	5,960 lm
Efficacy *	149 lm / W
Number of LEDs & Driving Current	215@65mA
Bulb Socket	E40
T _s - Solder Point Temp *	71°C / 160°F
L70 Rating @ T _a 25°C	> 40K hours
Operational Temperature (T _a)	-25° ~ 45°C / -13° ~ 113°F
Input Voltage	100~277VAC 47~63Hz Optional 200~480VAC
LED Model	Nichia / Lumileds
CRI	> 85
Lighting Control	Non Dimmable
Storage Temperature	-25° ~ 80°C / -13° ~ 176°F
Transient Surge Protection	6kV / 3kA (L-L, L-G)
Warranty	5-Year Limited

* Test data @ T_a: 25°C. All lumen values have ±7% tolerance
NOTE: Light intensities measured directly below fixture