

CLM60 Series

LED Troffer / Office Lighting



Advantages of CLM60

- Standard 2' x 2' LED replacement office / troffer luminaire
- High-tech architectural design with butterfly optics
- Available in 20 & 30 Watt configurations
- Ultra-bright high efficacy up to 170lm/W
- Glare-free, comfortable indirect lighting for all office environments
- Advanced circuitry enables greater protection in unstable electrical grids
- Optional wireless smart control and motion sensor with soft dimming function
- Light weight (2.5kg / 5.5lbs) eliminates the need for costly ceiling reinforcement
- Field serviceable light engine and driver, ideal for retrofit and new construction
- L70 ≥ 100,000 hour rated life with 7-year limited warranty
- Designed and engineered in the USA



Years Warranty



Smart Control

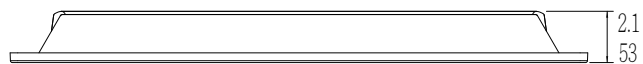
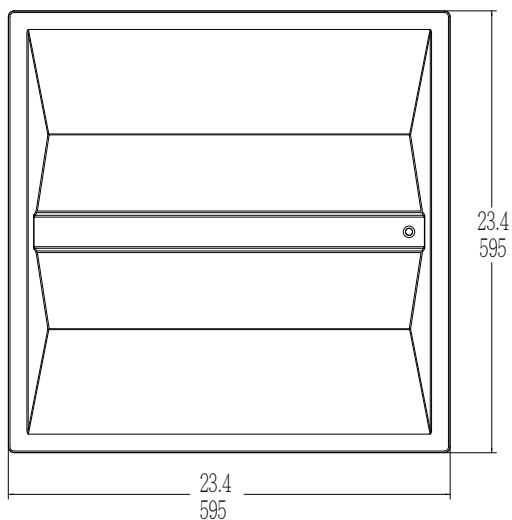
Applications

- Commercial Office
- Hospitality
- Healthcare
- Schools

CLM60 Series

LED Troffer / Office Lighting - 20Watt

External Dimensions



Ordering Information

CLM60	Wattage	CCT	Driver & Control
	020 = 20Watt 030 = 30Watt	30 = 3000K 40 = 4000K 50 = 5000K	ND = Non-Dimmable DM = Dimmable MS = Motion Sensor SC = Smart Control

NOTE: White is the standard housing color.

Example

Part Number	Part Description
CLM60-020-40ND	Ceiling Luminaire Module 2' x 2' (600 x 600mm) / 100-277VAC / 20Watt / 4000K Neutral White / Non-Dimmable



CLM60 Series

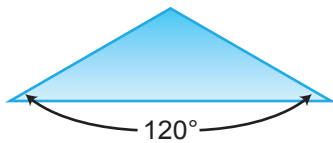
LED Troffer / Office Lighting - 20Watt

Specification

Fixture Watts *	20Watt
Lumens (Total) *	3,400 Lumens
Efficacy *	170 lm / W
Number of LEDs & Driving Current	100@55mA
T _s - Solder Point Temp *	52°C / 126°F
L70 Rating @ T _a 25°C	> 100K hours
Operational Temperature (T _a)	-25° ~ 50°C / -13° ~ 122°F
Light Beam Angle	120°
Input Voltage	100-277VAC 50~60Hz
LED Model	Nichia / Lumileds
CRI	>80
Lighting Control	Dimmable (0-10V) / Motion Sensor / Smart Control
Storage Temperature	-25° ~ 80°C / -13° ~ 176°F
Transient Surge Protection	6kV / 3kA (L-L, L-G)
Warranty	7-Year Limited

* Test data @ T_a: 25°C. All lumen values have ±7% tolerance
NOTE: Light intensities measured directly below fixture

Illumination Levels



Height	LUX	FC
2m / 6.5ft	290	27
3m / 9.8ft	149	13.9
4m / 13ft	88	8.2
5m / 16.5ft	43	4.0

Average Luminance Table (cd/m²)
Horizontal Angle (°)

Vertical Angle (°)	Horizontal Angle (°)		
	Along	45	Across
45	3754	3783	3677
55	3320	3380	3245
65	2822	3087	2926
75	2166	2995	2903
85	990	3310	2901

Light Distribution Curve

