

IL280 Series

INDUSTRIAL GRADE LED LUMINARE



IL280 Series

LED Industrial Mid-Low Bay Lighting



Product Information

The IL280 series is a compact, low profile LED industrial light designed to replace traditional HID fixtures up to 250 Watt. Its patented thermal management system ensures low operating temperatures and an industry leading life expectancy of over 145,000 hours, with virtually zero fixture maintenance.

Proprietary optical system enables glare-free uniform lighting to ensure improved productivity and safety for all industrial applications. This IP68-rated robust fixture is available with an exceptional 10-year limited warranty

Patent No. US 8,272,765 B2 - US 8,757,842 B2 - US 9,383,084 B2
Other US and international patents pending

Applications

- Manufacturing Plants
- Warehouses
- Supermarkets
- Airports
- Cold Storage Facilities
- Telecom Centers

IL280 Series

LED Industrial Mid-Low Bay Lighting



Years Warranty



Smart Control



Wet Location



Impact Resistance

Advantages of IL280

- Compact low profile design, LED industrial light
- Available in 35 / 55 / 75 Watt configurations with various optics
- Ultra-bright industry leading high efficacy up to 187 lm / W
- Proprietary optical system enabling glare-free uniform lighting, eliminating the need for costly and fragile plastic lenses
- Advanced thermal technology enables low LED junction temperatures (Tj) for maintenance free long life
- Optional wireless smart control system with motion & daylight sensor enabling greater savings and flexibility
- IP68 rated tri-proof (dust, vapor & water-proof) luminaire
- Available with versatile mounting options for various industrial applications
- Titanium rated high efficiency LED driver with smart circuitry
- L70 \geq 145,000 hours with an exceptional 10-year limited warranty
- Designed and engineered in the USA

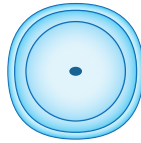
IL280 Series

LED Industrial Mid-Low Bay Lighting

Optics Options

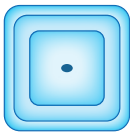
R5 - Type V Round / symmetric for mid-low bay, parking garages and flood applications

M - Medium



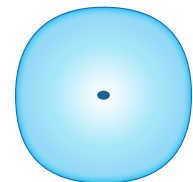
S5 - Type V Square / symmetric for mid-low bay, aisle and flood applications

S - Short



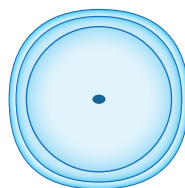
F5 - Type V Opaque - Frosted / symmetric for ultra uniform & low glare applications

L - Long



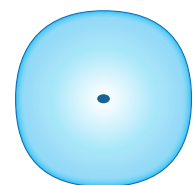
WC - Well Glass - Clear / spherical symmetric for area lighting, parking garages and wide flood applications

M - Medium



WF - Well Glass - Frosted / spherical symmetric for ultra uniform & low glare applications

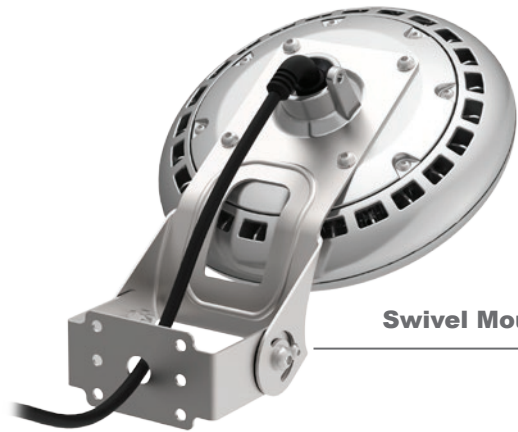
L - Long



IL280 Series

LED Industrial Mid-Low Bay Lighting

Mounting Options



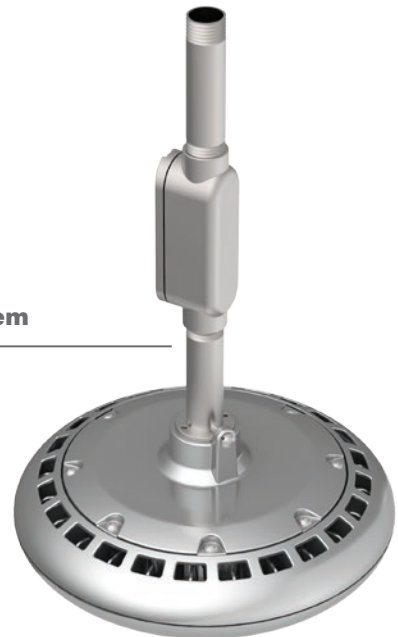
Swivel Mounting System - SWL

SST - Snap & Turn Surface Mounting System



Chain Mounting System - CH4

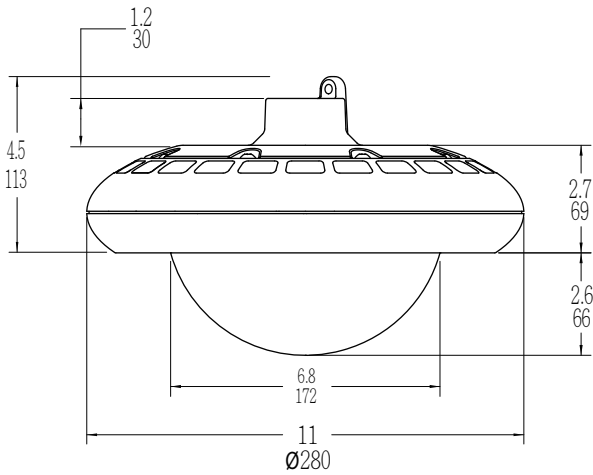
PDS - Pendant Mounting System



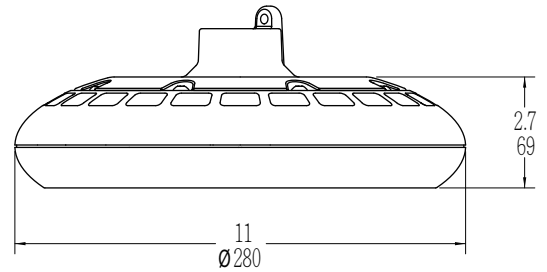
IL280 Series

LED Industrial Mid-Low Bay Lighting

External Dimensions



IL280 Well Glass



IL280

Packaging Information

Model	Case Quantity	Dimensions (LxWxH)	Weight
IL280	1	30 x 30 x 13.3 cm 11.2 x 11.2 x 5.3 in	3.9 kg 8.6 lbs
IL280 Well Glass	1	30 x 30 x 20 cm 11.2 x 11.2 x 7.8 in	4 kg 8.8 lbs



IL280 Series

LED Industrial Mid-Low Bay Lighting

Ordering Information

IL28	Wattage	Voltage	Optics	Pitch	CCT	Driver & Control *	Mounting **
	035 = 35Watt 055 = 55Watt 075 = 75Watt	UV = 100-277VAC HV = 200-480VAC DV = 127-390VDC	R5 = Type V Round S5 = Type V Square F5 = Type V Frosted WC = Well Glass Clear WF = Well Glass Frosted	S = Short M = Medium L = Long	30 = 3000K 40 = 4000K 50 = 5000K	ND = Non-Dimmable DM = Dimmable DS = Daylight Sensor MS = Motion Sensor SC = Smart Control	PDS = Pendant Mount SST = Snap & Turn Mount CH4 = 4 Chain Mount SWL = Swivel Mount

NOTE: Gray is the standard exterior color.

* Smart control & daylight sensor available with ZHAGA standard receptacle module.

** PDS is the standard mounting system, with 1" NPT threaded hole.

Example

Part Number	Part Description
IL28035UV-R5M-50DM-SWL	IL280 LED Industrial Light / 35 Watt / 100-277VAC / Type V Round / Medium Pitch / 5000K Cool White / Dimmable / Swivel Mount

Specification - Type V Round Medium / Well Glass Clear Medium

Fixture Watts	35 W	55 W	75 W
Lumens (Total) *	6,545 lm	10,010 lm	13,050 lm
Efficacy *	187 lm / W	182 lm / W	174 lm / W
Number of LEDs & Driving Current	64@190mA	64@280mA	64@385mA
Ts - Solder Point Temp*	53°C / 127°F	57°C / 134°F	62°C / 144°F
L70 Rating @ Ta 25°C	>175K Hours	>160K Hours	>145K Hours
Operational Temperature (Ta)	-40° ~ 50°C / -40° ~ 122°F		
Input Voltage	100~277VAC 47~63Hz Optional 200~480VAC / 127~390VDC		
LED Model	Nichia / Lumileds / Cree		
CRI	>75		
Lighting Control	Dimmable (0-10V, PWM) / Smart Control / Daylight & Motion Sensor		
Warranty	10-Year Limited		
Storage Temperature / Humidity	-50° ~ 80°C / -58° ~ 176°F / IP68 Rated Fixture		
Transient Surge Protection	6kV / 3kA (L-L, L-G)		

* Test data @ Ta: 25°C. All lumen values have ±7% tolerance

IL280 Series

LED Industrial Mid-Low Bay Lighting

Specification - Type V Square Short

Fixture Watts	35 W	55 W	75 W
Lumens (Total) *	6,335 lm	9,625 lm	12,450 lm
Efficacy *	181 lm / W	175 lm / W	166 lm / W
Number of LEDs & Driving Current	64@190mA	64@280mA	64@385mA
Ts - Solder Point Temp*	53°C / 127°F	57°C / 134°F	62°C / 144°F
L70 Rating @ Ta 25°C	>175K Hours	>160K Hours	>145K Hours
Operational Temperature (Ta)	-40° ~ 50°C / -40° ~ 122°F		
Input Voltage	100~277VAC 47~63Hz Optional 200~480VAC / 127~390VDC		
LED Model	Nichia / Lumileds / Cree		
CRI	>75		
Lighting Control	Dimmable (0-10V, PWM) / Smart Control / Daylight & Motion Sensor		
Warranty	10-Year Limited		
Storage Temperature / Humidity	-50° ~ 80°C / -58° ~ 176°F / IP68 Rated Fixture		
Transient Surge Protection	6kV / 3kA (L-L, L-G)		

* Test data @ Ta: 25°C. All lumen values have ±7% tolerance

Specification - Type V Frosted Long / Well Glass Frosted Long

Fixture Watts	35 W	55 W	75 W
Lumens (Total) *	5,845 lm	8,800 lm	11,475 lm
Efficacy *	167 lm / W	160 lm / W	153 lm / W
Number of LEDs & Driving Current	64@190mA	64@280mA	64@385mA
Ts - Solder Point Temp*	54°C / 129°F	58°C / 136°F	64°C / 147°F
L70 Rating @ Ta 25°C	>175K Hours	>160K Hours	>145K Hours
Operational Temperature (Ta)	-40° ~ 50°C / -40° ~ 122°F		
Input Voltage	100~277VAC 47~63Hz Optional 200~480VAC / 127~390VDC		
LED Model	Nichia / Lumileds / Cree		
CRI	>75		
Lighting Control	Dimmable (0-10V, PWM) / Smart Control / Daylight & Motion Sensor		
Warranty	10-Year Limited		
Storage Temperature / Humidity	-50° ~ 80°C / -58° ~ 176°F / IP68 Rated Fixture		
Transient Surge Protection	6kV / 3kA (L-L, L-G)		

* Test data @ Ta: 25°C. All lumen values have ±7% tolerance

NOTE: Light intensities measured directly below fixture