

# IL280 Series LED Industrial Lighting

## LED Driver Electrical and Dimming Control Specification 35-75Watt

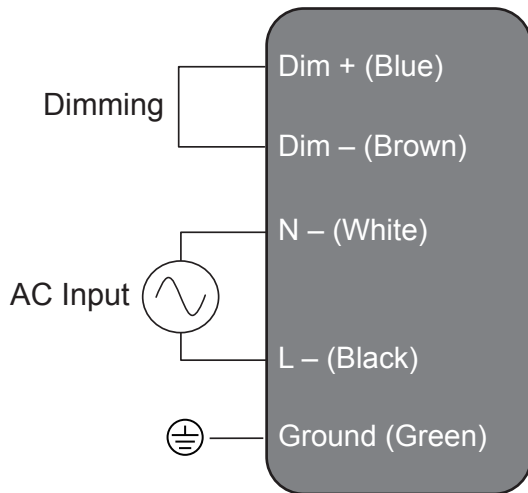


<b>INPUT</b>	VOLTAGE RANGE <small>Note.4</small>	100~277VAC 47~63Hz Optional 200~480VAC / 127~390VDC		
	FREQUENCY RANGE	50 ~ 60Hz		
	POWER FACTOR (Typ.)	PF>0.98/115VAC, PF>0.95/230VAC, PF>0.92/277VAC at full load		
	EFFICIENCY (Typ.)	(TYP.) 93 - 95%		
	INRUSH CURRENT (Typ.)	COLD START 500A/230VAC		
	LEAKAGE CURRENT	<0.75mA / 277VAC		
	TOTAL HARMONIC DISTORT.	THD ≤ 10% @ 230VAC full load		
	INPUT CURRENT		35 WATT	55 WATT
		0.40A / 115VAC 0.21A / 230VAC 0.20A / 277VAC	0.61A / 115VAC 0.30A / 230VAC 0.28A / 277VAC	0.82A / 115VAC 0.41A / 230VAC 0.40A / 277VAC
MAX. No. of PSUs on 16A CIRCUIT BREAKER		4 units (circuit breaker of type B) / 7 units (circuit breaker of type C) at 230VAC		
<b>PROTECTION</b>	OVER CURRENT	95 ~ 108%		
	SHORT CIRCUIT	Protection type: Constant current limiting, recovers automatically after fault condition is removed		
	OVER VOLTAGE	Protection type: Shut down o/p voltage with auto-recovery or re-power on to recovery		
	OVER TEMPERATURE	100°C ± 10°C(RTH2) Protection type: Shut down o/p voltage, recovers automatically after temperature goes down		
<b>ENVIRONMENT</b>	VIBRATION	10 ~ 500Hz, 5G 12min./1cycle, period for 72min. each along X, Y, Z axes		
<b>SAFETY &amp; EMC</b>	SAFETY STANDARDS <small>Note.6</small>	UL8750, CSA C22.2 No. 250.0-08, EN61347-1, EN61347-2-13 independent IP65 or IP67, J61347-1, J61347-2-13 approved ; design refer to UL60950-1, TUV EN60950-1		
	WITHSTAND VOLTAGE	10kV / 5kA (L-L, L-G)		
	ISOLATION RESISTANCE	I/P-O/P, I/P-FG, O/P-FG: 100M Ohms / 500VDC / 25°C/ 70% RH		
	EMC EMISSION	Compliance to EN55015, EN55022 (CISPR22) Class B, EN61000-3-2 Class C (≥50% load) ; EN61000-3-3		
	EMC IMMUNITY	Compliance to EN61000-4-2,3,4,5,6,8,11, EN61547, EN55024, light industry level (surge 4KV), criteria A		
<b>NOTE</b>	<ol style="list-style-type: none"> <li>1. All parameters NOT specially mentioned are measured at 230VAC input, rated load and 25°C of ambient temperature.</li> <li>2. Ripple &amp; noise are measured at 20MHz of bandwidth by using a 12" twisted pair-wire terminated with a 0.1uf &amp; 47uf parallel capacitor.</li> <li>3. Tolerance: includes set up tolerance, line regulation and load regulation.</li> <li>4. Derating may be needed under low input voltages. Please check the static characteristics for more details.</li> <li>5. Safety and EMC design refer to EN60598-1, CNS15233, GB7000.1, FCC part18.</li> <li>6. Length of set up time is measured at cold first start. Turning ON/OFF the power supply may lead to increase of the set up time.</li> <li>7. The power supply is considered as a component that will be operated in combination with final equipment. Since EMC performance will be affected by the complete installation, the final equipment manufacturers must re-qualify EMC Directive on the complete installation again.</li> <li>8. Refer to warranty statement.</li> </ol>			

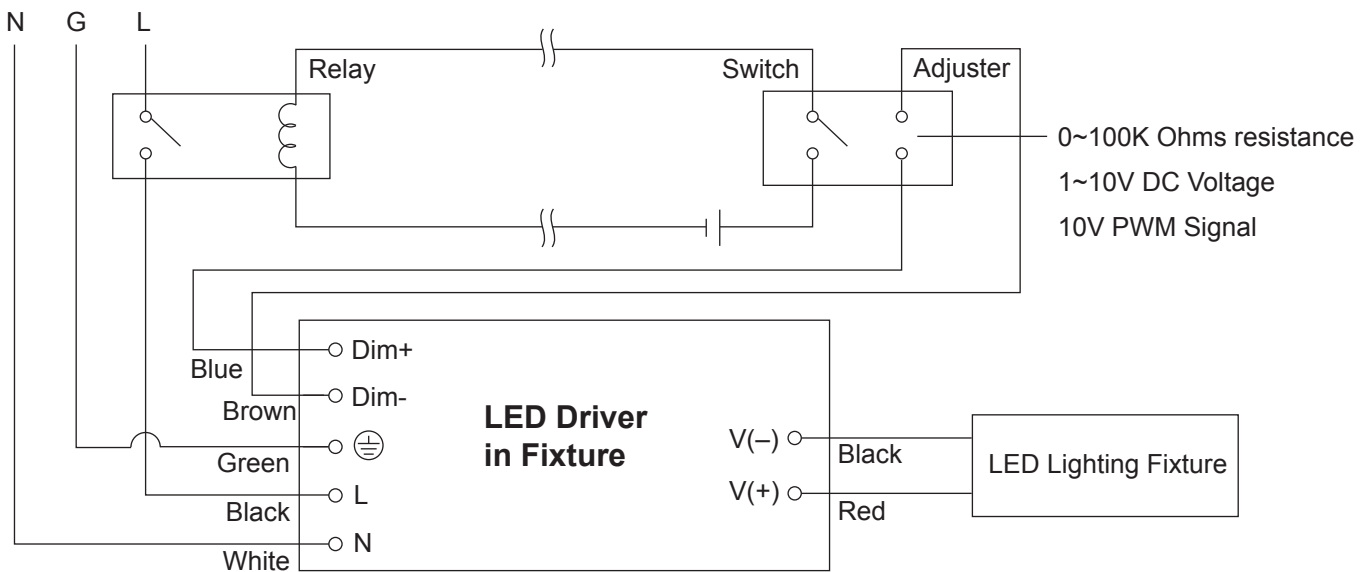
# IL280 Series LED Industrial Lighting

## LED Driver Electrical and Dimming Control Specification 35-75Watt

### Dimming connection diagram



### Input Wires



Using a switch and relay can turn ON/OFF the lighting fixture.

1. Output constant current level can be adjusted through output cable by connecting a or 1~10Vdc or 10V PWM signal resistance between Dim+ and Dim-.
2. The LED lighting fixture can be turned ON/OFF by the switch.