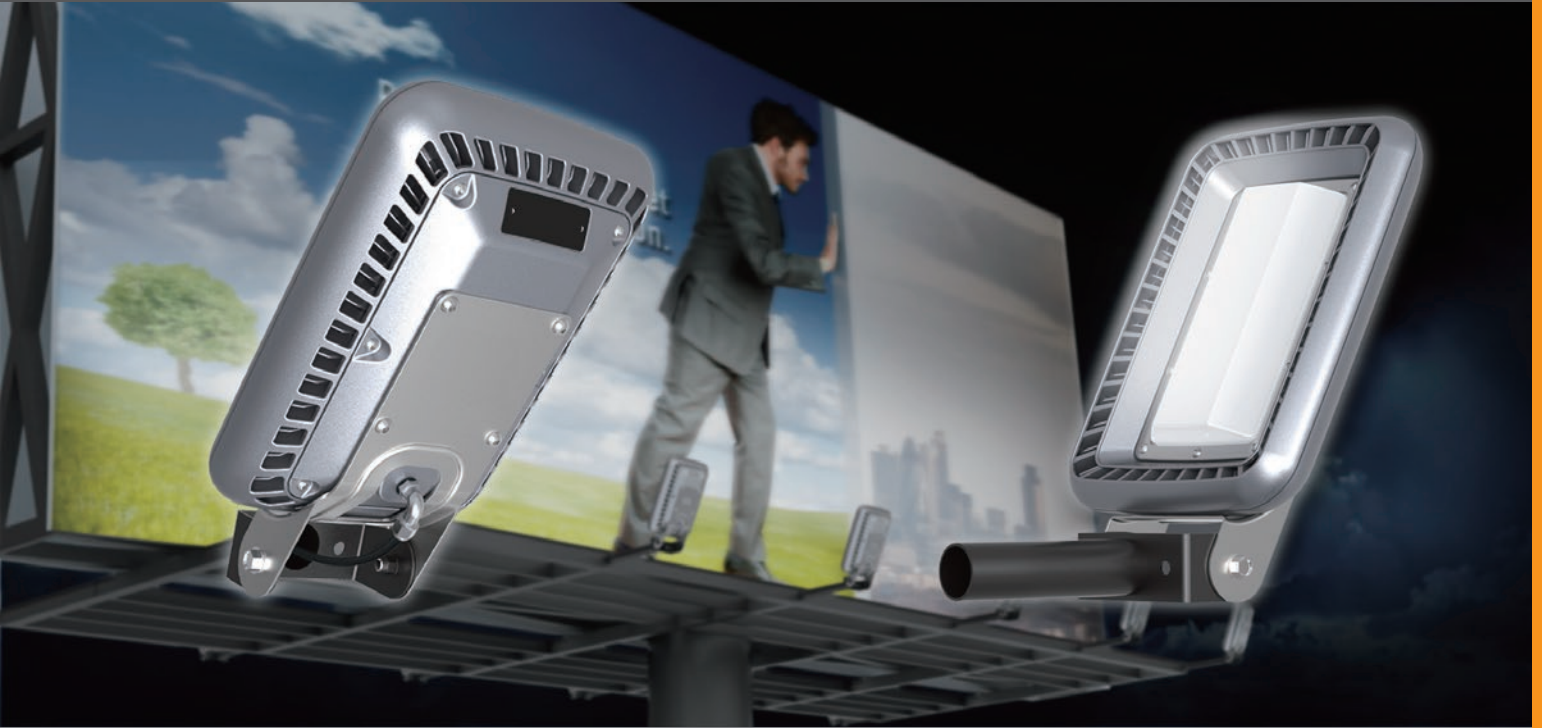


IL3525 Series

LED Billboard Lighting



Advantages of IL3525

- Technologically advanced, low profile LED billboard / signage light
- Available in 35 ~ 100 Watt configurations
- Ultra-bright industry leading high efficacy up to 150 lm / W
- Advanced thermal technology enables low LED junction temperatures (Tj) for maintenance free long life
- IP68 rated tri-proof (dust, vapor & water-proof) luminaire
- Ultra-wide angle butterfly optics enabling glare-free uniform lighting with outstanding horizontal and vertical surface coverage.
- Optional wireless smart control system with daylight sensor enabling greater savings and flexibility
- Available with adjustable swivel mount for various signage applications
- Titanium rated high efficiency LED driver with smart circuitry
- L70 ≥ 135,000 hours with an exceptional 10-year limited warranty
- Designed and engineered in the USA

Applications

- Outdoor Billboards
- Murals & Signage
- Painted Billboards
- Highway Signage



Years Warranty



Smart Control



Wet Location



Impact Resistance

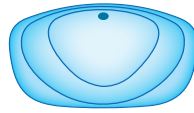
IL3525 Series

LED Billboard Lighting

Optic Options

B2 - Billboard Lighting / asymmetric for billboards and signage applications

M - Medium



Mounting Information



Swivel Mounting System

Part Number	Part Description
SWL-IL3525-SS	Variable Angle Swivel Mounting Bracket / Stainless Steel

IL3525 Series

LED Billboard Lighting - 75Watt

Ordering Information

IL3525 -	Wattage	Voltage	Optics	Pitch	CCT	Driver & Control *	Mounting
	035 = 35Watt 055 = 55Watt 075 = 75Watt 100 = 100Watt	UV = 100-277VAC HV = 200-480VAC DV = 127-390VDC	B2 = Billboard	M = Medium	30 = 3000K 40 = 4000K 50 = 5000K	ND = Non-Dimmable DM = Dimmable DS = Daylight Sensor SC = Smart Control	SWL = Swivel Mount

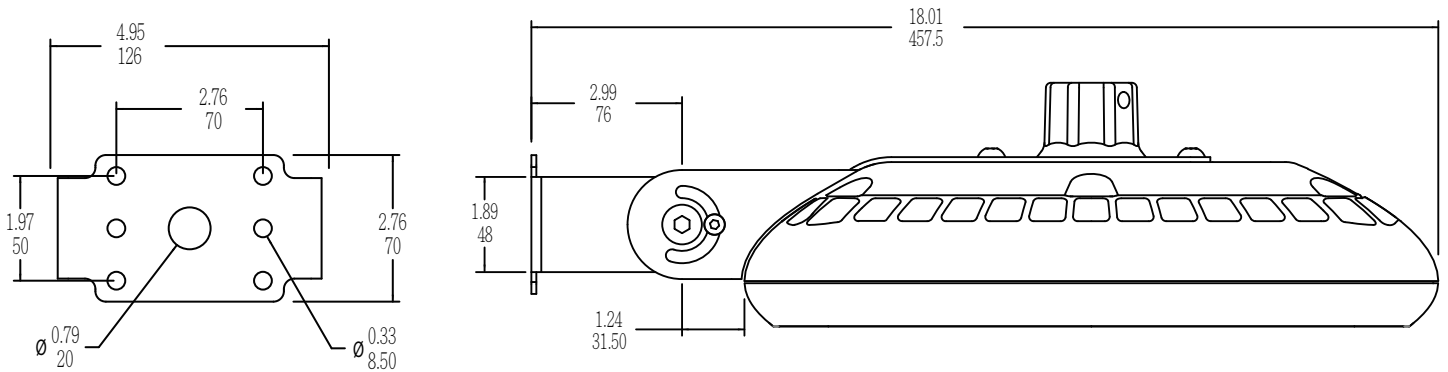
NOTE: Gray is the standard exterior color. Please specify extension arm pipe diameter and thread size.

* Smart control & daylight sensor available with ZHAGA standard receptacle module for AC powered models only.

Example

Part Number	Part Description
IL3525-075UV-B2M-50ND-SWL	LED Billboard Light / 75 Watt / 100-277VAC / Billboard / Medium Pitch / 5000K Cool White / Non-Dimmable / Swivel Mount

External Dimensions



Packaging Information

Case Quantity	Dimensions (LxWxH)	Weight
1	38.5 x 28.5 x 16.5 cm 15.2 x 11.2 x 6.5 in	5.7 kg 12.5 lbs



IL3525 Series

LED Billboard Lighting - 75Watt

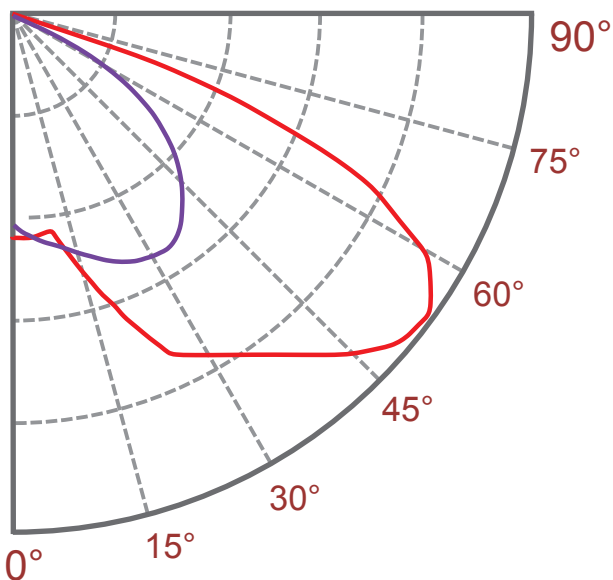
Specification - B2 Billboard Medium

Fixture Watts	75 W
Lumens (Total) *	10,500 lm
Efficacy *	140 lm / W
Number of LEDs & Driving Current	48@505mA
T _s - Solder Point Temp *	60°C / 140°F
L70 Rating @ T _a 25°C	> 150K hours
Operational Temperature (T _a)	-40° ~ 50°C / -40° ~ 122°F
Input Voltage	100~277VAC 47~63Hz Optional 200~480VAC / 127~390VDC
LED Model	Lumileds / Nichia / Cree
CRI	>75
Lighting Control	Dimmable (0-10V, PWM) / Smart Control / Daylight Sensor
Warranty	10-Year Limited
Storage Temperature / Humidity	-50° ~ 80°C / -58° ~ 176°F / IP68 Rated Fixture
Transient Surge Protection	10kV / 5kA (L-L, L-G) Optional 20kV / 10kA

* Test data @ T_a: 25°C. All lumen values have ±7% tolerance

NOTE: Light intensities measured directly below fixture

Light Distribution Curve



C0/C180 —
 C90/C270 —

Zonal Lumen Summary

Zone (°)	Lumens	% Fixture
0-30	3349	32.2%
0-40	6042	58.1%
0-60	9703	93.3%
0-90	10338	99.4%
0-180	10400	100.0%