

IL3525 Series

BILLBOARD APPLICATION LED LUMINAIRE



IL3525 Series

LED Billboard Lighting



Product Information

Light Emitting Designs introduces the first IP68 rated billboard / signage luminaire in the industry. The IL3525 series is specifically engineered to withstand the severe outdoor weather conditions and deliver high performance visibility for excellent illumination of billboards and signage.

Its compact design incorporates the industry's highest power density with an ultra-wide angle butterfly optics enabling glare-free uniform lighting with outstanding horizontal and vertical surface coverage. This high efficacy fixture optimizes revenue by providing unmatched energy savings with virtually zero fixture maintenance, resulting in a short ROI period.

Patent No. US 8,272,765 B2 - US 8,757,842 B2 - US 9,383,084 B2
Other US and international patents pending.

Applications

- Outdoor Billboards
- Murals & Signage
- Painted Billboards
- Highway Signage

IL3525 Series

LED Billboard Lighting



Years Warranty



Smart Control



Wet Location



Impact Resistance

Advantages of IL3525

- Technologically advanced, low profile LED billboard / signage light
- Available in 35 ~ 100 Watt configurations
- Optional solar powered DC input voltage available for 35 ~ 65 Watt systems
- Ultra-bright industry leading high efficacy up to 150 lm / W
- Advanced thermal technology enables low LED junction temperatures (Tj) for maintenance free long life
- IP68 rated tri-proof (dust, vapor & water-proof) luminaire
- Ultra-wide angle butterfly optics enabling glare-free uniform lighting with outstanding horizontal and vertical surface coverage.
- Optional wireless smart control system with daylight sensor enabling greater savings and flexibility
- Available with adjustable swivel mount for various signage applications
- Titanium rated high efficiency LED driver with smart circuitry
- L70 ≥ 135,000 hours with an exceptional 10-year limited warranty
- Designed and engineered in the USA

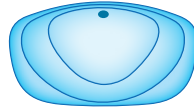
IL3525 Series

LED Billboard Lighting

Optic Options

B2 - Billboard Lighting / asymmetric for billboards and signage applications

M - Medium



Mounting Options

SWL - Swivel Mounting System



IL3525 Series

LED Billboard Lighting

Ordering Information

IL3525 -	Wattage	Voltage *	Optics	Pitch	CCT	Driver & Control **	Mounting
	035 = 35Watt 055 = 55Watt 075 = 75Watt 100 = 100Watt	UV = 100-277VAC HV = 200-480VAC DV = 127-390VDC SP = 12-32VDC	B2 = Billboard	M = Medium	30 = 3000K 40 = 4000K 50 = 5000K	ND = Non-Dimmable DM = Dimmable DS = Daylight Sensor SC = Smart Control	SWL = Swivel Mount

NOTE: Gray is the standard exterior color. Please specify extension arm pipe diameter and thread size.

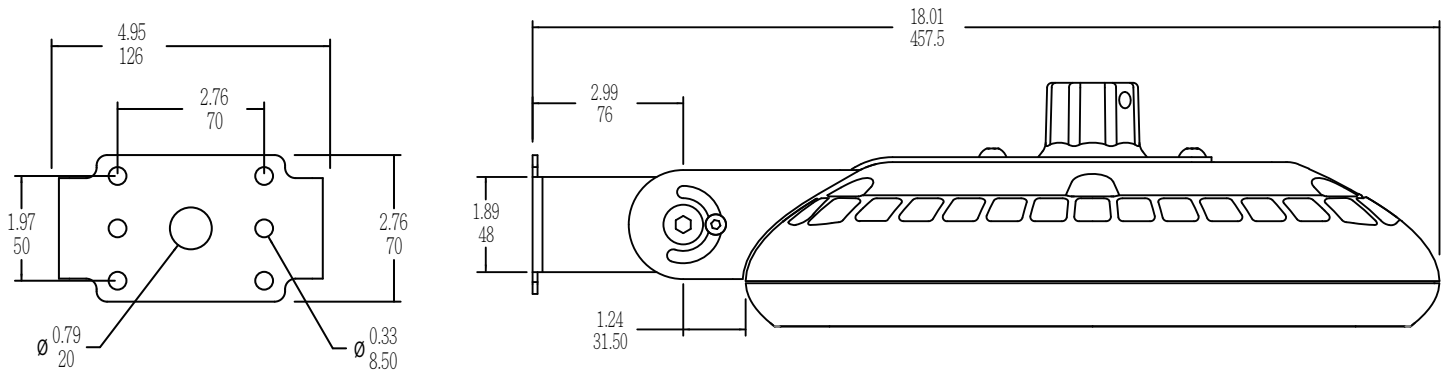
* Input voltage 12-32VDC available only for solar powered models with DC driver ranging from 35 - 65 Watts.

** Smart control & daylight sensor available with ZHAGA standard receptacle module for AC powered models only.

Example

Part Number	Part Description
IL3525-055UV-B2M-50ND-SWL	LED Billboard Light / 55 Watt / 100-277VAC / Billboard / Medium Pitch / 5000K Cool White / Non-Dimmable / Swivel Mount

External Dimensions



Packaging Information

Case Quantity	Dimensions (LxWxH)	Weight
1	38.5 x 28.5 x 16.5 cm 15.2 x 11.2 x 6.5 in	5.7 kg 12.5 lbs



IL3525 Series

LED Billboard Lighting

Specification - B2 Billboard Medium

Fixture Watts	35 W	55 W	75 W	100 W
Lumens (Total) *	5,215 lm	7,865 lm	10,500 lm	13,000 lm
Efficacy *	149 lm / W	143 lm / W	140 lm / W	130 lm / W
Number of LEDs & Driving Current	48@240mA	48@370mA	48@505mA	48@670mA
T _s - Solder Point Temp *	52°C / 126°F	56°C / 133°F	60°C / 140°F	63°C / 145°F
L70 Rating @ T _a 25°C	> 175K hours	> 160K hours	> 150K hours	> 135K hours
Operational Temperature (T _a)	-40° ~ 50°C / -40° ~ 122°F			
Input Voltage **	100~277VAC 47~63Hz Optional 200~480VAC / 127~390VDC / Solar 12-32VDC			
LED Model	Lumileds / Nichia / Cree			
CRI	>75			
Lighting Control	Dimmable (0-10V, PWM) / Smart Control / Daylight Sensor			
Warranty	10-Year Limited			
Storage Temperature / Humidity	-50° ~ 80°C / -58° ~ 176°F / IP68 Rated Fixture			
Transient Surge Protection	10kV / 5kA (L-L, L-G) Optional 20kV / 10kA			

* Test data @ T_a: 25°C. All lumen values have ±7% tolerance

** DC 12-32VDC input voltage for solar powered applications are available only for 35 - 65Watt systems.