

# IL3525 Series

FLOOD APPLICATION LED LUMINAIRE



# IL3525 Series

LED Flood Lighting



## Product Information

The IL3525 Series low profile, compact design luminaire delivers high performance outdoor flood lighting and improves the visibility and safety of all working environments, with outstanding horizontal and vertical lumen coverage. Its high-tech butterfly optical system enables high efficacy uniform lighting for all working environments.

The IP68-rated IL3525 LED flood light is designed specifically to withstand harsh outdoor weather conditions and is available with an optional interactive wireless smart control for greater flexibility and exceptional energy savings.

Patent No. US 8,272,765 B2 - US 8,757,842 B2 - US 9,383,084 B2  
Other US and international patents pending

## Applications

- Construction Sites
- Manufacturing Plants
- Residential Complexes
- Bridges
- Architectural Buildings
- Security Perimeter
- Fields
- Shopping Centres

# IL3525 Series

## LED Flood Lighting



Years Warranty



Smart Control



Wet Location



Impact Resistance

### Advantages of IL3525

- Technologically advanced, low profile LED flood light
- Available in 35 ~ 100Watt configurations with various optics
- Ultra-bright industry leading high efficacy up to 150 lm / W
- Proprietary Reflector Optics enabling glare-free uniform lighting for all working environments, eliminating the need for costly and fragile plastic lenses
- Advanced thermal technology enables low LED junction temperatures (Tj) for maintenance free long life
- IP68 rated tri-proof (dust, vapor & water-proof) luminaire
- Ultra-wide angle butterfly optics reducing required fixtures by up to 25%
- Optional wireless smart control system with motion & daylight sensor enabling greater savings and flexibility
- Available with versatile mounting options for various flood light applications
- Titanium rated high efficiency LED driver with smart circuitry
- L70 ≥ 135,000 hours with an exceptional 10-year limited warranty
- Designed and engineered in the USA

# IL3525 Series

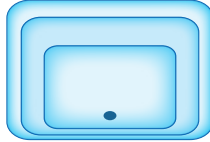
## LED Flood Lighting

### Optic Options

**02 - Type II** / wall mount & perimeter lighting applications

---

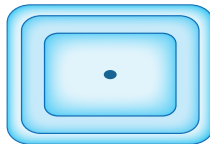
**M - Medium**



**S5 - Type V Rectangular** / symmetric for canopies, tunnels, parking garages and wide flood applications

---

**M - Medium**



**F5 - Type V Opaque - Frosted** / symmetric for ultra uniform & low glare applications

---

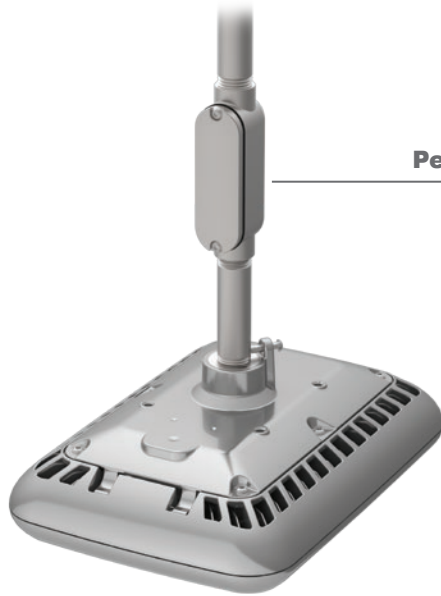
**L - Long**



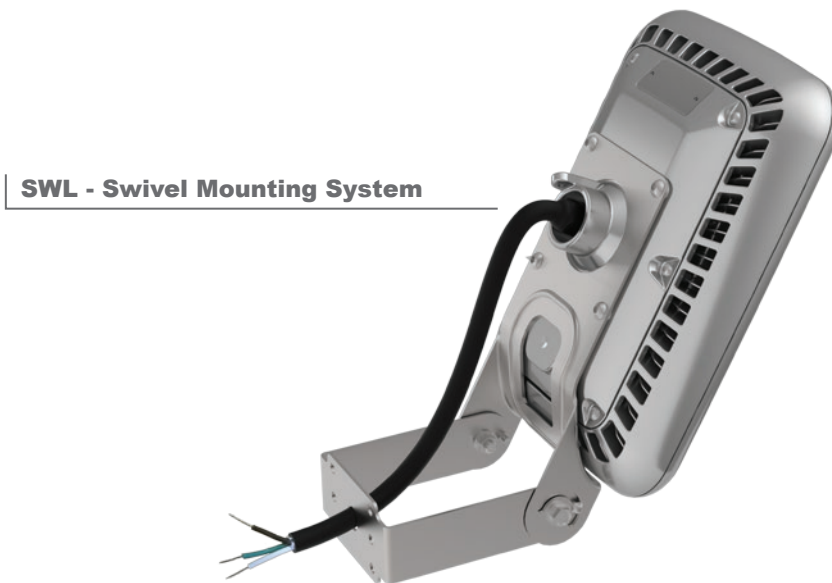
# IL3525 Series

LED Flood Lighting

## Mounting Options



Pendant Mounting System - PDS



SWL - Swivel Mounting System

# IL3525 Series

## LED Flood Lighting

### Ordering Information

IL3525 -	Wattage	Voltage	Optics	Pitch	CCT	Driver & Control *	Mounting **
	035 = 35Watt 055 = 55Watt 075 = 75Watt 100 = 100Watt	UV = 100-277VAC HV = 200-480VAC DV = 127-390VDC	02 = Type II S5 = Type V Rectangular F5 = Type V Frosted	M = Medium L = Long	30 = 3000K 40 = 4000K 50 = 5000K	ND = Non-Dimmable DM = Dimmable DS = Daylight Sensor MS = Motion Sensor SC = Smart Control	PDS = Pendant Mount SWL = Swivel Mount

NOTE: Gray is the standard exterior color.

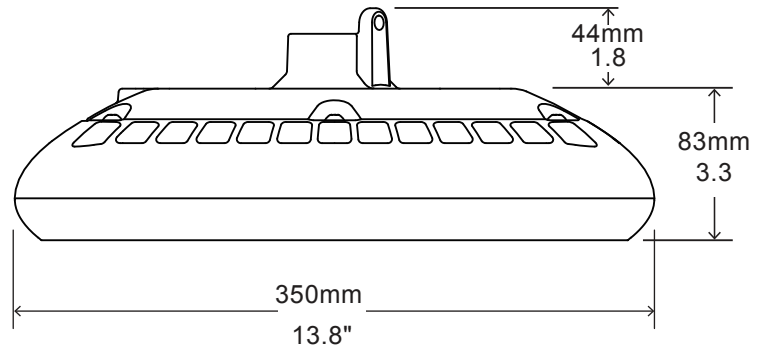
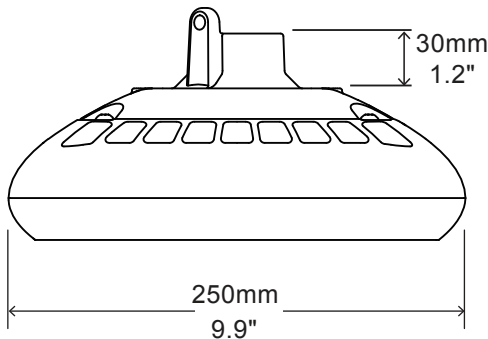
\* Smart control & daylight sensor available with ZHAGA standard receptacle module.

\*\* PDS is the standard mounting system, with 1" NPT threaded hole.

### Example

Part Number	Part Description
IL3525-075UV-S5M-50ND-SWL	LED Flood Light / 75 Watt / 100-277VAC / Type V Rectangular / Medium Pitch / 5000K Cool White / Non-Dimmable / Swivel Mount

### External Dimensions



### Packaging Information

Case Quantity	Dimensions (LxWxH)	Weight
1	38.5 x 28.5 x 16.5 cm 15.2 x 11.25 x 6.5 in	5.7 kg 12.5 lbs



# IL3525 Series

## LED Flood Lighting

### Specification - Type II Medium

Fixture Watts	35 W	55 W	75 W	100 W
Lumens (Total) *	5,215 lm	7,865 lm	10,500 lm	13,000 lm
Efficacy *	149 lm / W	143 lm / W	140 lm / W	130 lm / W
Number of LEDs & Driving Current	48@240mA	48@370mA	48@505mA	48@670mA
T <sub>s</sub> - Solder Point Temp *	52°C / 126°F	56°C / 133°F	60°C / 140°F	63°C / 145°F
L70 Rating @ T <sub>a</sub> 25°C	> 175K hours	> 160K hours	> 150K hours	> 135K hours
Operational Temperature (T <sub>a</sub> )	-40° ~ 50°C / -40° ~ 122°F			
Input Voltage	100~277VAC 47~63Hz Optional 200~480VAC / 127~390VDC			
LED Model	Lumileds / Nichia / Cree			
CRI	>75			
Lighting Control	Dimmable (0-10V, PWM) / Smart Control / Daylight & Motion Sensor			
Warranty	10-Year Limited			
Storage Temperature / Humidity	-50° ~ 80°C / -58° ~ 176°F / IP68 Rated Fixture			
Transient Surge Protection	6kV / 3kA (L-L, L-G) Optional 10kV / 5kA			

\* Test data @ T<sub>a</sub>: 25°C. All lumen values have ±7% tolerance

### Specification - Type V Rectangular

Fixture Watts	35 W	55 W	75 W	100 W
Lumens (Total) *	5,320 lm	8,030 lm	10,725 lm	13,300 lm
Efficacy *	152 lm / W	146 lm / W	143 lm / W	133 lm / W
Number of LEDs & Driving Current	48@240mA	48@370mA	48@505mA	48@670mA
T <sub>s</sub> - Solder Point Temp *	50°C / 122°F	54°C / 131°F	58°C / 136°F	62°C / 144°F
L70 Rating @ T <sub>a</sub> 25°C	> 175K hours	> 160K hours	> 150K hours	> 135K hours
Operational Temperature (T <sub>a</sub> )	-40° ~ 50°C / -40° ~ 122°F			
Input Voltage	100~277VAC 47~63Hz Optional 200~480VAC / 127~390VDC			
LED Model	Lumileds / Nichia / Cree			
CRI	>75			
Lighting Control	Dimmable (0-10V, PWM) / Smart Control / Daylight & Motion Sensor			
Warranty	10-Year Limited			
Storage Temperature / Humidity	-50° ~ 80°C / -58° ~ 176°F / IP68 Rated Fixture			
Transient Surge Protection	6kV / 3kA (L-L, L-G) Optional 10kV / 5kA			

\* Test data @ T<sub>a</sub>: 25°C. All lumen values have ±7% tolerance

# IL3525 Series

## LED Flood Lighting

### Specification - Type V Frosted

Fixture Watts	35 W	55 W	75 W	100 W
Lumens (Total) *	4,830 lm	7,315 lm	9,750 lm	12,000 lm
Efficacy *	138 lm / W	133 lm / W	130 lm / W	120 lm / W
Number of LEDs & Driving Current	48@240mA	48@370mA	48@505mA	48@670mA
T <sub>s</sub> - Solder Point Temp *	51°C / 124°F	55°C / 131°F	59°C / 138°F	64°C / 147°F
L70 Rating @ T <sub>a</sub> 25°C	> 175K hours	> 160K hours	> 150K hours	> 135K hours
Operational Temperature (T <sub>a</sub> )	-40° ~ 50°C / -40° ~ 122°F			
Input Voltage	100~277VAC 47~63Hz Optional 200~480VAC / 127~390VDC			
LED Model	Lumileds / Nichia / Cree			
CRI	>75			
Lighting Control	Dimmable (0-10V, PWM) / Smart Control / Daylight & Motion Sensor			
Warranty	10-Year Limited			
Storage Temperature / Humidity	-50° ~ 80°C / -58° ~ 176°F / IP68 Rated Fixture			
Transient Surge Protection	6kV / 3kA (L-L, L-G) Optional 10kV / 5kA			

\* Test data @ T<sub>a</sub>: 25°C. All lumen values have ±7% tolerance

NOTE: Light intensities measured directly below fixture