

IL3525 Series

LED Industrial Mid-Low Bay Lighting



Advantages of IL3525

- Technologically advanced, low profile LED industrial light
- Available in 35 ~ 100Watt configurations with various optics
- Ultra-bright industry leading high efficacy up to 150 lm / W
- Proprietary reflector optics enabling glare-free uniform lighting for all working environments, eliminating the need for costly and fragile plastic lenses
- Advanced thermal technology enables low LED junction temperatures (Tj) for maintenance free long life
- IP68 rated tri-proof (dust, vapor & water-proof) luminaire
- Ultra-wide angle butterfly optics reducing required fixtures by up to 25%
- Optional wireless smart control system with motion & daylight sensor enabling greater savings and flexibility
- Available with versatile mounting options for various industrial applications
- Titanium rated high efficiency LED driver with smart circuitry
- L70 ≥ 135,000 hours with an exceptional 10-year limited warranty
- Designed and engineered in the USA

Applications

- Manufacturing Plants
- Cold Storage Facilities
- Warehouses
- Airports
- Supermarkets
- Telecom Centers



Years Warranty



Smart Control



Wet Location



Impact Resistance

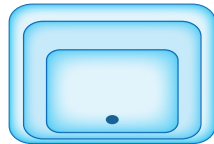
IL3525 Series

LED Industrial Mid-Low Bay Lighting

Optic Options

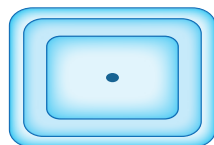
02 - Type II / wall mount & perimeter lighting applications

M - Medium



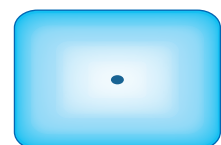
S5 - Type V Rectangular / symmetric for canopies, tunnels, parking garages and wide flood applications

M - Medium



F5 - Type V Opaque - Frosted / symmetric for ultra uniform & low glare applications

L - Long



IL3525 Series

LED Industrial Mid-Low Bay Lighting

Mounting Options



Pendant Mounting System

| Part Number | Part Description |
|-------------|---|
| PDS-IL35 | Pendant Mounting Interface / 3/4" Pipe Not Included |



Snap & Slide Surface Mounting System

| Part Number | Part Description |
|--------------|--|
| SSL-IL3525-B | Snap & Slide Surface Mount Bracket / Steel Black |



Chain Mounting System - CH4

| Part Number | Part Description |
|----------------|--|
| CH4-IL3525-45C | 4 Link Chain Chandelier System / 18" (45cm) / Chrome Steel |
| CH4-IL3525-90C | 4 Link Chain Chandelier System / 36" (90cm) / Chrome Steel |



Swivel Mounting System

| Part Number | Part Description |
|---------------|--|
| SWL-IL3525-SS | Variable Angle Swivel Mounting Bracket / Stainless Steel |

IL3525 Series

LED Industrial Mid-Low Bay Lighting - 75watt

Ordering Information

| IL3525 - | Wattage | Voltage | Optics | Pitch | CCT | Driver & Control * | Mounting ** |
|----------|---|---|---|------------------------|--|--|--|
| | 035 = 35Watt 055 = 55Watt 075 = 75Watt 100 = 100Watt | UV = 100-277VAC HV = 200-480VAC DV = 127-390VDC | 02 = Type II S5 = Type V Rectangular F5 = Type V Frosted | M = Medium L = Long | 30 = 3000K 40 = 4000K 50 = 5000K | ND = Non-Dimmable DM = Dimmable DS = Daylight Sensor MS = Motion Sensor SC = Smart Control | PDS = Pendant Mount SSL = Snap & Slide Mount CH4 = 4 Chain Mount SWL = Swivel Mount |

NOTE: Gray is the standard exterior color.

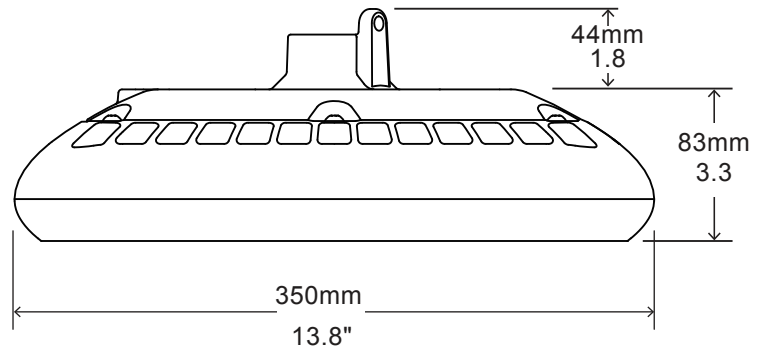
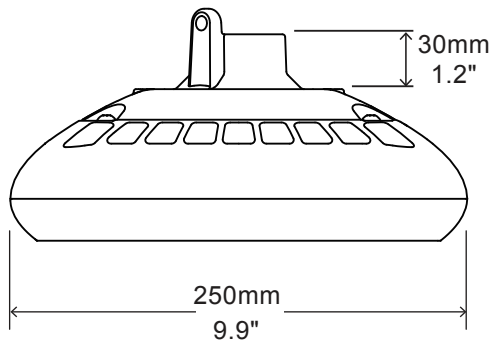
* Smart control & daylight sensor available with ZHAGA standard receptacle module.

** PDS is the standard mounting system, with 1" NPT threaded hole.

Example

| Part Number | Part Description |
|---------------------------|--|
| IL3525-075UV-S5M-50ND-SSL | LED Industrial Light / 75 Watt / 100-277VAC / Type V Rectangular / Medium Pitch / 5000K Cool White / Non-Dimmable / Snap & Slide Mount |

External Dimensions



Packaging Information

| Case Quantity | Dimensions (LxWxH) | Weight |
|---------------|--|--------------------|
| 1 | 38.5 x 28.5 x 16.5 cm 15.2 x 11.25 x 6.5 in | 5.7 kg 12.5 lbs |



IL3525 Series

LED Industrial Mid-Low Bay Lighting - 75Watt

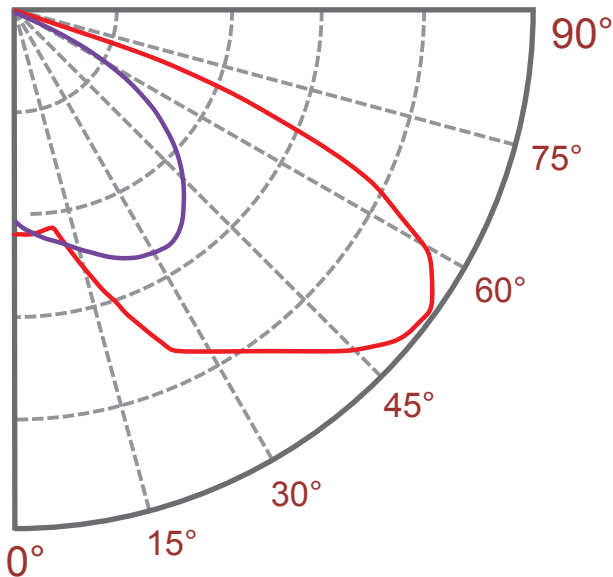
Specification - Type II Medium

| | |
|---|--|
| Fixture Watts | 75 W |
| Lumens (Total) * | 10,500 lm |
| Efficacy * | 140 lm / W |
| Number of LEDs & Driving Current | 48@505mA |
| T _s - Solder Point Temp * | 60°C / 140°F |
| L70 Rating @ T _a 25°C | > 150K hours |
| Operational Temperature (T _a) | -40° ~ 50°C / -40° ~ 122°F |
| Input Voltage | 100~277VAC 47~63Hz Optional 200~480VAC / 127~390VDC |
| LED Model | Lumileds / Nichia / Cree |
| CRI | >75 |
| Lighting Control | Dimmable (0-10V, PWM) / Smart Control / Daylight & Motion Sensor |
| Warranty | 10-Year Limited |
| Storage Temperature / Humidity | -50° ~ 80°C / -58° ~ 176°F / IP68 Rated Fixture |
| Transient Surge Protection | 6kV / 3kA (L-L, L-G) |

* Test data @ T_a: 25°C. All lumen values have ±7% tolerance

NOTE: Light intensities measured directly below fixture

Light Distribution Curve



C0/C180 ————
C90/C270 ————

Zonal Lumen Summary

| Zone (°) | Lumens | % Fixture |
|----------|--------|-----------|
| 0-30 | 3349 | 32.2% |
| 0-40 | 6042 | 58.1% |
| 0-60 | 9703 | 93.3% |
| 0-90 | 10338 | 99.4% |
| 0-180 | 10400 | 100.0% |

IL3525 Series

LED Industrial Mid-Low Bay Lighting - 75Watt

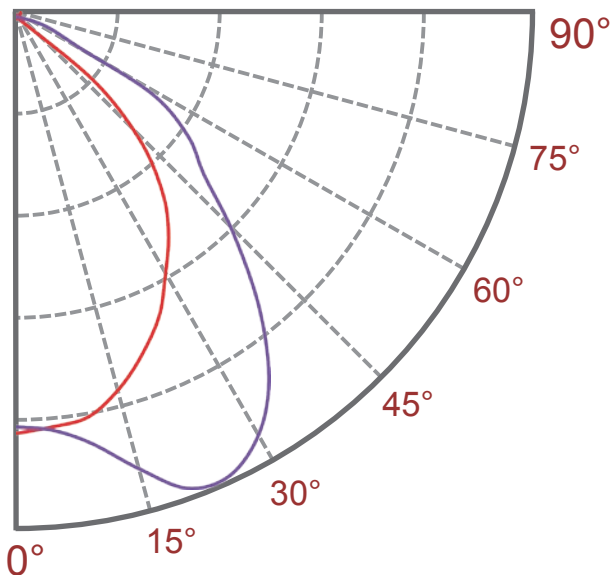
Specification - Type V Rectangular

| | |
|---|--|
| Fixture Watts | 75 W |
| Lumens (Total) * | 10,725 lm |
| Efficacy * | 143 lm / W |
| Number of LEDs & Driving Current | 48@505mA |
| T _s - Solder Point Temp * | 58°C / 136°F |
| L70 Rating @ T _a 25°C | > 150K hours |
| Operational Temperature (T _a) | -40° ~ 50°C / -40° ~ 122°F |
| Input Voltage | 100~277VAC 47~63Hz Optional 200~480VAC / 127~390VDC |
| LED Model | Lumileds / Nichia / Cree |
| CRI | >75 |
| Lighting Control | Dimmable (0-10V, PWM) / Smart Control / Daylight & Motion Sensor |
| Warranty | 10-Year Limited |
| Storage Temperature / Humidity | -50° ~ 80°C / -58° ~ 176°F / IP68 Rated Fixture |
| Transient Surge Protection | 6kV / 3kA (L-L, L-G) |

* Test data @ T_a: 25°C. All lumen values have ±7% tolerance

NOTE: Light intensities measured directly below fixture

Light Distribution Curve



C0/C180 —
 C90/C270 —

Zonal Lumen Summary

| Zone (°) | Lumens | % Fixture |
|----------|--------|-----------|
| 0-30 | 4033 | 37.6% |
| 0-40 | 6499 | 60.6% |
| 0-60 | 10189 | 95.0% |
| 0-90 | 10693 | 99.7% |
| 0-180 | 10725 | 100.0% |

IL3525 Series

LED Industrial Mid-Low Bay Lighting - 75Watt

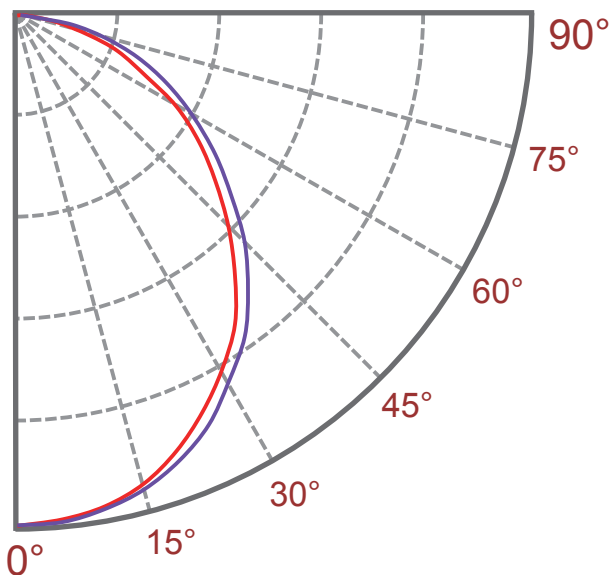
Specification - F5 Type V Frosted

| | |
|---|--|
| Fixture Watts | 75 W |
| Lumens (Total) * | 9,750 lm |
| Efficacy * | 130 lm / W |
| Number of LEDs & Driving Current | 48@505mA |
| T _s - Solder Point Temp * | 59°C / 138°F |
| L70 Rating @ T _a 25°C | > 150K hours |
| Operational Temperature (T _a) | -40° ~ 50°C / -40° ~ 122°F |
| Input Voltage | 100~277VAC 47~63Hz Optional 200~480VAC / 127~390VDC |
| LED Model | Lumileds / Nichia / Cree |
| CRI | >75 |
| Lighting Control | Dimmable (0-10V, PWM) / Smart Control / Daylight & Motion Sensor |
| Warranty | 10-Year Limited |
| Storage Temperature / Humidity | -50° ~ 80°C / -58° ~ 176°F / IP68 Rated Fixture |
| Transient Surge Protection | 6kV / 3kA (L-L, L-G) |

* Test data @ T_a: 25°C. All lumen values have ±7% tolerance

NOTE: Light intensities measured directly below fixture

Light Distribution Curve



C0/C180 —
 C90/C270 —

Zonal Lumen Summary

| Zone (°) | Lumens | % Fixture |
|----------|--------|-----------|
| 0-30 | 3159 | 32.4% |
| 0-40 | 5051 | 51.8% |
| 0-60 | 8151 | 83.6% |
| 0-90 | 9692 | 99.4% |
| 0-180 | 9750 | 100.0% |