



IL3525 Series

INDUSTRIAL GRADE LED LUMINAIRE



IL3525 Series

LED Industrial Mid-Low Bay Lighting



Product Information

The IL3525 Series is the next generation of IP68-rated LED industrial lighting for mid-low-bay applications. Its compact design incorporates the industry's highest power density and is available in numerous choices of mounting systems and optics for a wide range of light distribution patterns.

The butterfly optical design delivers wide angle ultra-bright uniform light output, and its patented thermal technology ensures low LED junction temperatures (T_j) with extended lumen maintenance and virtually zero fixture maintenance. The IL3525 is available with optional wireless technology and has an industry leading 10-year limited warranty.

Patent No. US 8,272,765 B2 - US 8,757,842 B2 - US 9,383,084 B2
Other US and international patents pending

Applications

- Manufacturing Plants
- Cold Storage Facilities
- Warehouses
- Airports
- Supermarkets
- Telecom Centers

IL3525 Series

LED Industrial Mid-Low Bay Lighting



Years Warranty



Smart Control



Wet Location



Impact Resistance

Advantages of IL3525

- Technologically advanced, low profile LED industrial light
- Available in 35 ~ 100Watt configurations with various optics
- Ultra-bright industry leading high efficacy up to 150 lm / W
- Proprietary reflector optics enabling glare-free uniform lighting for all working environments, eliminating the need for costly and fragile plastic lenses
- Advanced thermal technology enables low LED junction temperatures (Tj) for maintenance free long life
- IP68 rated tri-proof (dust, vapor & water-proof) luminaire
- Ultra-wide angle butterfly optics reducing required fixtures by up to 25%
- Optional wireless smart control system with motion & daylight sensor enabling greater savings and flexibility
- Available with versatile mounting options for various industrial applications
- Titanium rated high efficiency LED driver with smart circuitry
- L70 ≥ 135,000 hours with an exceptional 10-year limited warranty
- Designed and engineered in the USA

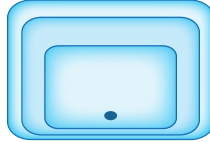
IL3525 Series

LED Industrial Mid-Low Bay Lighting

Optic Options

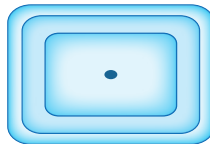
02 - Type II / wall mount & perimeter lighting applications

M - Medium



S5 - Type V Rectangular / symmetric for canopies, tunnels, parking garages and wide flood applications

M - Medium



F5 - Type V Opaque - Frosted / symmetric for ultra uniform & low glare applications

L - Long



IL3525 Series

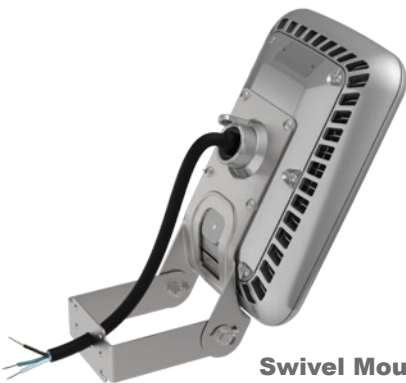
LED Industrial Mid-Low Bay Lighting

Mounting Options



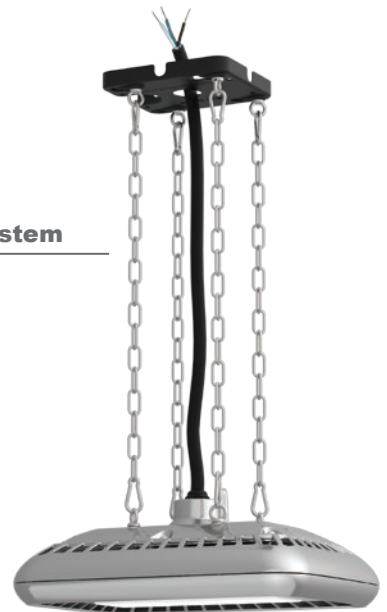
**Snap & Slide Surface - SSL
Mounting System**

PDS - Pendant Mounting System



Swivel Mounting System - SWL

CH4 - Chain Mounting System



IL3525 Series

LED Industrial Mid-Low Bay Lighting

Ordering Information

IL3525 -	Wattage	Voltage	Optics	Pitch	CCT	Driver & Control *	Mounting **
	035 = 35Watt 055 = 55Watt 075 = 75Watt 100 = 100Watt	UV = 100-277VAC HV = 200-480VAC DV = 127-390VDC	02 = Type II S5 = Type V Rectangular F5 = Type V Frosted	M = Medium L = Long	30 = 3000K 40 = 4000K 50 = 5000K	ND = Non-Dimmable DM = Dimmable DS = Daylight Sensor MS = Motion Sensor SC = Smart Control	PDS = Pendant Mount SSL = Snap & Slide Mount CH4 = 4 Chain Mount SWL = Swivel Mount

NOTE: Gray is the standard exterior color.

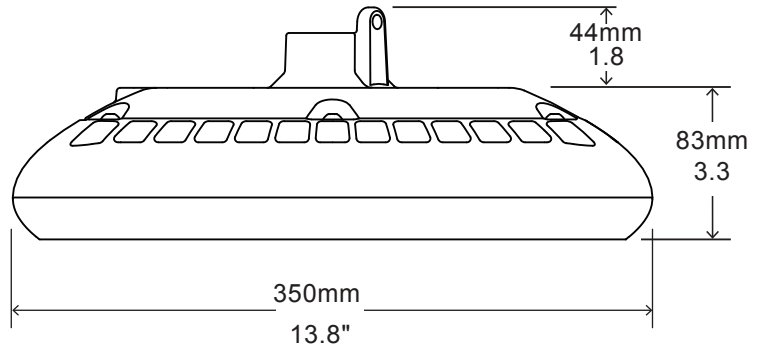
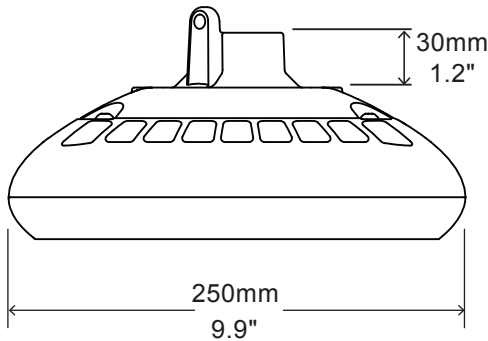
* Smart control & daylight sensor available with ZHAGA standard receptacle module.

** PDS is the standard mounting system, with 1" NPT threaded hole.

Example

Part Number	Part Description
IL3525-100UV-S5M-50ND-SSL	LED Industrial Light / 100 Watt / 100-277VAC / Type V Rectangular / Medium Pitch / 5000K Cool White / Non-Dimmable / Snap & Slide Mount

External Dimensions



Packaging Information

Case Quantity	Dimensions (LxWxH)	Weight
1	38.5 x 28.5 x 16.5 cm 15.2 x 11.25 x 6.5 in	5.7 kg 12.5 lbs



IL3525 Series

LED Industrial Mid-Low Bay Lighting

Specification - Type II Medium

Fixture Watts	35 W	55 W	75 W	100 W
Lumens (Total) *	5,215 lm	7,865 lm	10,500 lm	13,000 lm
Efficacy *	149 lm / W	143 lm / W	140 lm / W	130 lm / W
Number of LEDs & Driving Current	48@240mA	48@370mA	48@505mA	48@670mA
T _s - Solder Point Temp *	52°C / 126°F	56°C / 133°F	60°C / 140°F	63°C / 145°F
L70 Rating @ T _a 25°C	> 175K hours	> 160K hours	> 150K hours	> 135K hours
Operational Temperature (T _a)	-40° ~ 50°C / -40° ~ 122°F			
Input Voltage	100~277VAC 47~63Hz Optional 200~480VAC / 127~390VDC			
LED Model	Lumileds / Nichia / Cree			
CRI	>75			
Lighting Control	Dimmable (0-10V, PWM) / Smart Control / Daylight & Motion Sensor			
Warranty	10-Year Limited			
Storage Temperature / Humidity	-50° ~ 80°C / -58° ~ 176°F / IP68 Rated Fixture			
Transient Surge Protection	6kV / 3kA (L-L, L-G)			

* Test data @ T_a: 25°C. All lumen values have ±7% tolerance

Specification - Type V Rectangular

Fixture Watts	35 W	55 W	75 W	100 W
Lumens (Total) *	5,320 lm	8,030 lm	10,725 lm	13,300 lm
Efficacy *	152 lm / W	146 lm / W	143 lm / W	133 lm / W
Number of LEDs & Driving Current	48@240mA	48@370mA	48@505mA	48@670mA
T _s - Solder Point Temp *	50°C / 122°F	54°C / 131°F	58°C / 136°F	62°C / 144°F
L70 Rating @ T _a 25°C	> 175K hours	> 160K hours	> 150K hours	> 135K hours
Operational Temperature (T _a)	-40° ~ 50°C / -40° ~ 122°F			
Input Voltage	100~277VAC 47~63Hz Optional 200~480VAC / 127~390VDC			
LED Model	Lumileds / Nichia / Cree			
CRI	>75			
Lighting Control	Dimmable (0-10V, PWM) / Smart Control / Daylight & Motion Sensor			
Warranty	10-Year Limited			
Storage Temperature / Humidity	-50° ~ 80°C / -58° ~ 176°F / IP68 Rated Fixture			
Transient Surge Protection	6kV / 3kA (L-L, L-G)			

* Test data @ T_a: 25°C. All lumen values have ±7% tolerance

IL3525 Series

LED Industrial Mid-Low Bay Lighting

Specification - Type V Frosted

Fixture Watts	35 W	55 W	75 W	100 W
Lumens (Total) *	4,830 lm	7,315 lm	9,750 lm	12,000 lm
Efficacy *	138 lm / W	133 lm / W	130 lm / W	120 lm / W
Number of LEDs & Driving Current	48@240mA	48@370mA	48@505mA	48@670mA
T _s - Solder Point Temp *	51°C / 124°F	55°C / 131°F	59°C / 138°F	64°C / 147°F
L70 Rating @ T _a 25°C	> 175K hours	> 160K hours	> 150K hours	> 135K hours
Operational Temperature (T _a)	-40° ~ 50°C / -40° ~ 122°F			
Input Voltage	100~277VAC 47~63Hz Optional 200~480VAC / 127~390VDC			
LED Model	Lumileds / Nichia / Cree			
CRI	>75			
Lighting Control	Dimmable (0-10V, PWM) / Smart Control / Daylight & Motion Sensor			
Warranty	10-Year Limited			
Storage Temperature / Humidity	-50° ~ 80°C / -58° ~ 176°F / IP68 Rated Fixture			
Transient Surge Protection	6kV / 3kA (L-L, L-G)			

* Test data @ T_a: 25°C. All lumen values have ±7% tolerance

NOTE: Light intensities measured directly below fixture