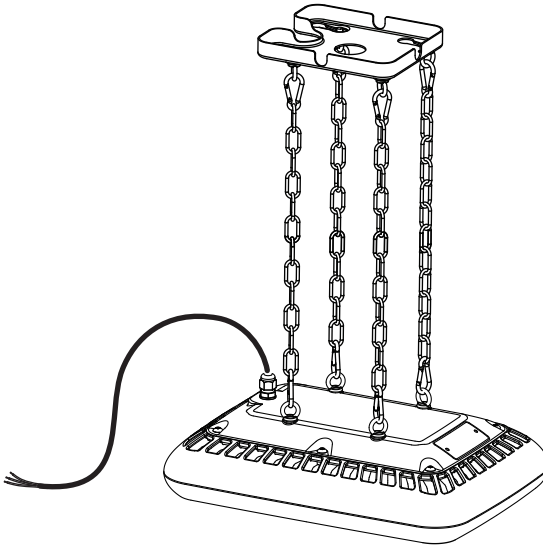


# IL3525 Series LED Industrial Lighting



## INSTALLATION GUIDE CH4 - Chain Mounting



### ITEMS INCLUDED FOR INSTALLATION

- One IL3525 LED Industrial Light with CH4 pre-mount
- One (CH4) Four Link Chain Chandelier Mounting Bracket
- Four chains with double sided clips
- Four sets of anchoring kit for concrete surfaces
- One standard wire fitting for junction-box knockout hole
- Installation manual

### FEATURES AND APPLICATIONS

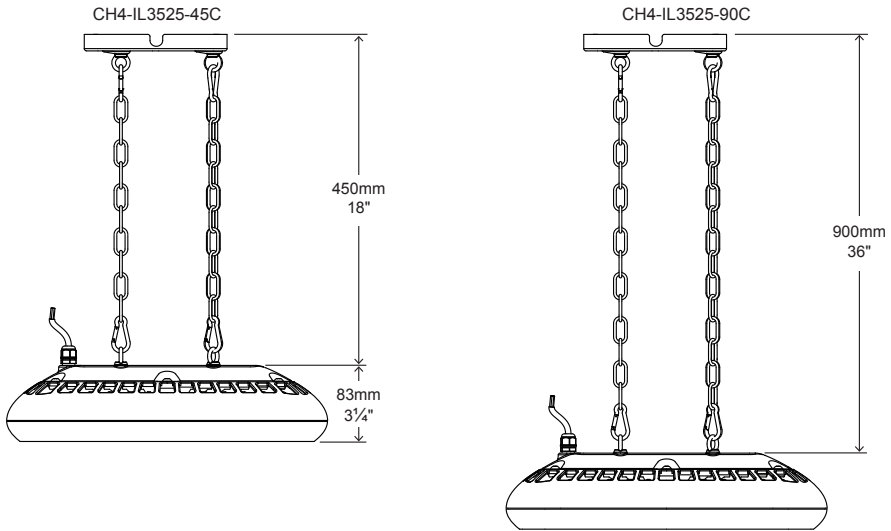
- L70 Rating @ Ta 25°C Over 150,000 hour rated life
- Low - Mid Bay applications
- Available in Type II, V Square
- 10-Year Limited Warranty
- IP68 - waterproof rated fixture
- Indoor / outdoor applications
- Low profile industrial grade design
- Easy to install with versatile mounting system
- Food Processing Plants
- Billboards
- Warehouses
- Parking Structures
- Canopy Lighting
- Tunnels
- Mining
- Refineries & Petrochemical Plants

# IL3525 Series LED Industrial Lighting



## INSTALLATION GUIDE CH4 - Chain Mounting

### External Dimensions



### Packaging Information

Case Quantity	Dimensions (LxWxH)	Weight
1	38.5 x 28.5 x 16.5 cm 15 1/8 x 11 1/4 x 6 1/2 in	5.7 kg 12.5 lbs

### WARNING

#### RISK OF ELECTRIC SHOCK

- Installation must be done by a certified electrician and / or qualified personnel.
- Make sure to Slide OFF the main power from the circuit breaker or fuse box before installing, servicing or inspecting this fixture.
- Make sure all grounding wires are connected correctly.

#### RISK OF FIRE

- Ensure that all line voltage wire is intended for specified product wattage.
- Use UL and/or CE approved wires for all input connections, minimum size required 18 AWG(0.82mm<sup>2</sup>)
- Do not use this product in environments where the temperatures could exceed **50°C (122°F)**

\* BEFORE YOU INSTALL this fixture please read these instructions carefully and completely

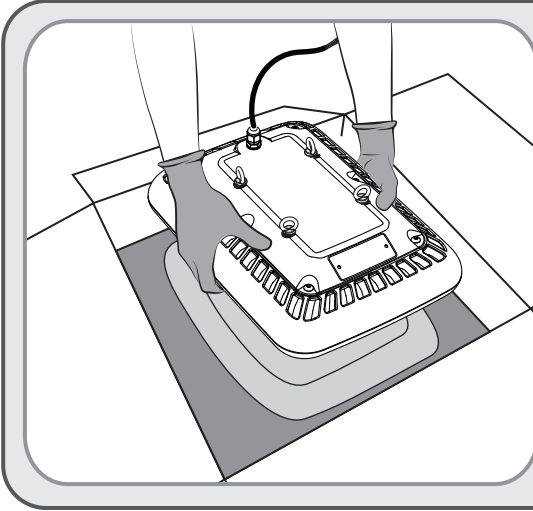


# IL3525 Series LED Industrial Lighting



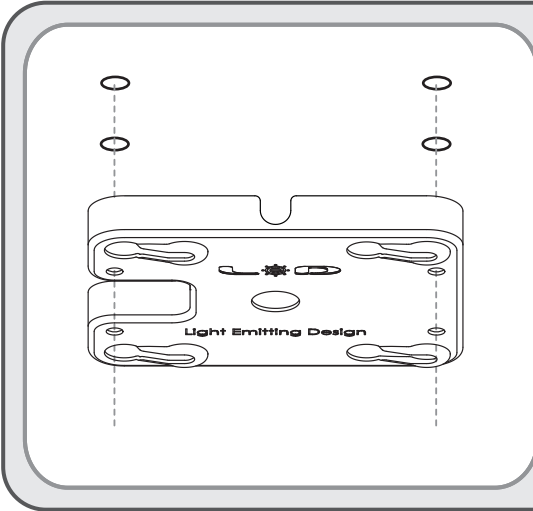
## INSTALLATION GUIDE CH4 - Chain Mounting

1.



- Handle fixture with care while unpacking the unit from its packaging and carefully examine the unit for defects before installing. Report any damage and save all packing materials if any part is damaged during transport. We recommend wearing work gloves when installing this fixture to prevent dirt and oil from coming into contact with the fixture.

2.



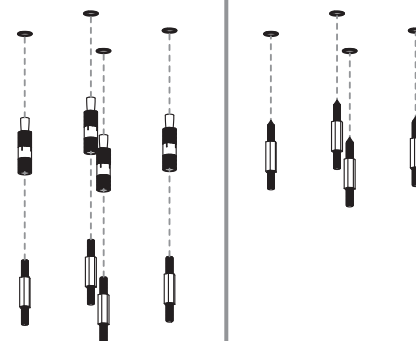
- Use the CH4 mounting bracket as a template to mark the screw holes location onto the intended surface.

# IL3525 Series LED Industrial Lighting



## INSTALLATION GUIDE CH4 - Chain Mounting

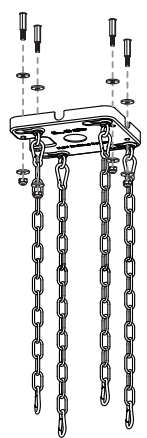
3.



**Concrete**                      **Wood**

- For concrete surfaces use a  $\text{Ø}5/16''$  (8.0mm) drill bit and drill holes 1-3/8" (35mm) deep at the marked locations. (Make sure that all dimensions are precise)
- Hammer all four concrete anchors into the four drilled holes until they are flush with the surface.
- Tighten all four hexagon spacers firmly into the concrete anchors.
- For wooden surfaces use a  $\text{Ø}1/8''$  (5.0mm) drill bit and drill holes 1-3/8" (35mm) deep at the marked locations.
- Tighten all four hexagon spacers firmly into the drilled holes.

4.



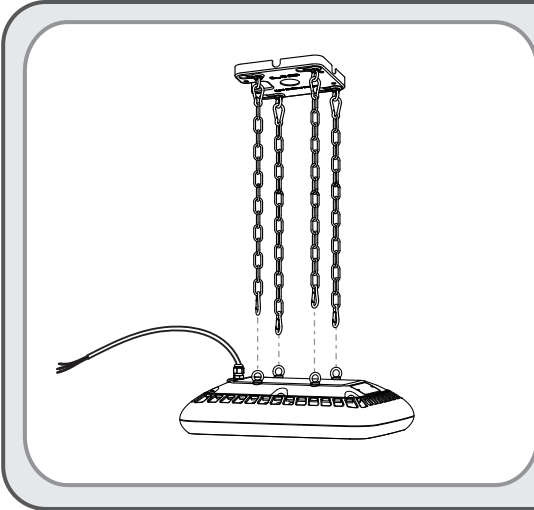
- Align and tighten the CH4 (Four Linked Chain Chandelier Mounting Bracket) onto the hexagon spacers using the hexagon nuts and washers provided in the kit.
- Hang all four chains to the CH4 mounting bracket by inserting the spring loaded hooks through the round eyelet anchors.

# IL3525 Series LED Industrial Lighting



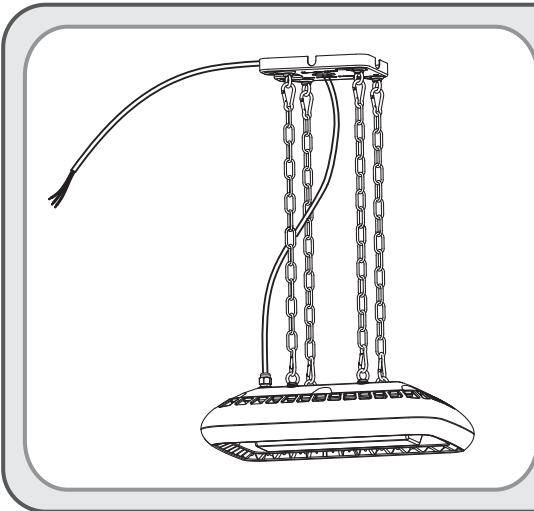
## INSTALLATION GUIDE CH4 - Chain Mounting

5.



- Hang the fixture from the four chains by inserting the spring loaded hooks through the round eyelet anchors located on top of the fixture.

6.



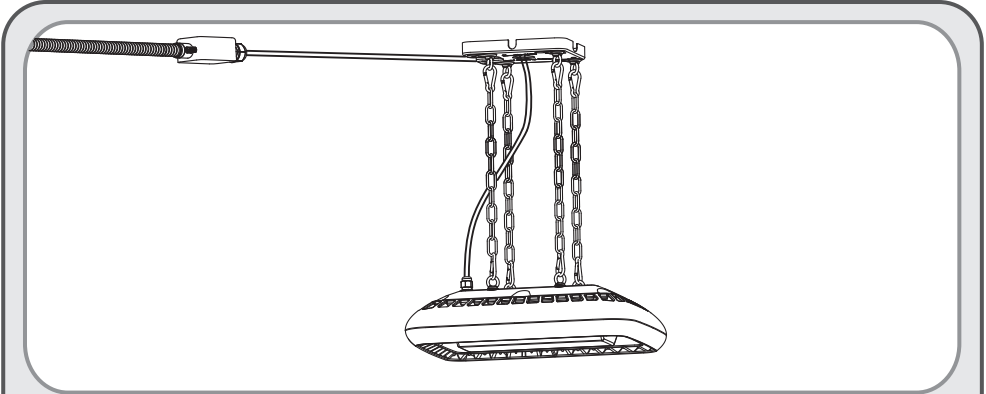
- Insert the fixture input AC cable wire through the center hole of the CH4 mounting bracket and pass it through the side exiting hole of the mounting bracket.

# IL3525 Series LED Industrial Lighting



## INSTALLATION GUIDE CH4 - Chain Mounting

7.



### Warning!

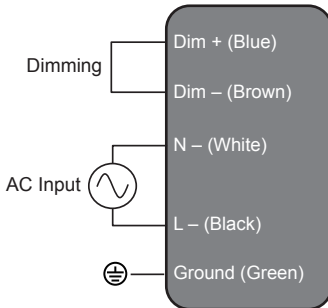
- Before connecting any AC input electrical wiring to the electric grid make sure to Slide OFF power to all appropriate circuit at the breaker box.
- Carefully unscrew and remove the junction-box cover.
- Insert AC line input wires through the knock out hole. Install proper electrical fittings at the knockout hole for wire protection, provided with the installation kit. Nominal strip length with 5/8" (15 mm) long.
- Connect the AC input line (L) wire to the corresponding marked AC line (**L-BLACK**) wire with a wire nut. Connect the AC input neutral (N) wire to the corresponding marked AC neutral (**N-WHITE**) wire with a wire nut. Ground fixture by connecting the input ground wire (⊕) to the corresponding marked ground wire (⊕ - **GREEN**) on the quick connect terminal block.
- Firmly tighten junction-box cover before testing the fixture.

# IL3525 Series LED Industrial Lighting



## INSTALLATION GUIDE CH4 - Chain Mounting

### Wiring Information



- NOTE:**
- Ensure that all line voltage wire is intended for specified product wattage.
  - Use UL and / or CE approved wires for all input connections, minimum size required 18 AWG (0.82mm<sup>2</sup>)
  - Refer to the specific dimmer installation manual for exact wiring instructions.

### ! WARNING

#### RISK OF ELECTRIC SHOCK

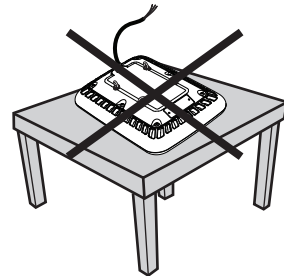
- Installation must be done by a certified electrician and / or qualified personnel.
- Make sure to turn OFF the main power from the circuit breaker or fuse box before installing, servicing or inspecting this fixture.
- Make sure all grounding wires are connected correctly.

#### RISK OF FIRE

- Ensure that all line voltage wire is intended for specified product wattage.
- Use UL and / or CE approved wires for all input connections, minimum size required 18 AWG (0.82mm<sup>2</sup>)
- Do not use this product in environments where the temperatures could exceed 50°C (122°F)

#### NOTE

- While the fixture is ON, do not cover the front surface of the light fixture or place it on any flat surfaces that would cover the front air ventilation holes for more than 30 minutes. This will prevent the fixture from properly cooling via air convection and can cause the fixture to overheat & fail.



\* BEFORE YOU INSTALL this fixture please read these instructions carefully and completely

IL3525-CH4 IG REV01012022