

IL3525 Series

WALL MOUNT APPLICATION LED LUMINAIRE



IL3525 Series

LED Wall Mount Lighting



Product Information

The IL3525 Series LED wall mount luminaire is the ideal choice for exterior building illumination. This ultra-reliable fixture incorporates the industry's highest power density, and its proprietary wide angle optical design enables high efficacy, glare-free uniform lighting, while reducing the number of fixtures by up to 25%. It is an excellent solution for most wall mounted industrial applications.

The IL3525 series advanced thermal technology ensures low LED operating temperatures resulting in extended lumen maintenance with virtually zero fixture maintenance. It is an IP68 rated all weather lighting fixture for any outdoor application.

Patent No. US 8,272,765 B2 - US 8,757,842 B2 - US 9,383,084 B2
Other US and international patents pending

Applications

- Manufacturing Plants
- Warehouses
- Corridors and Stair Lighting
- Architectural Buildings
- General Area Lighting

IL3525 Series

LED Wall Mount Lighting



Years Warranty



Smart Control



Wet Location



Impact Resistance

Advantages of IL3525

- Technologically advanced, low profile LED wall mount light
- Available in 35 ~ 100 Watt configurations with various optics
- Ultra-bright industry leading high efficacy up to 150 lm / W
- Proprietary reflector optics enabling glare-free uniform lighting eliminating the need for costly and fragile plastic lenses
- Advanced thermal technology enables low LED junction temperatures (Tj) for maintenance free long life
- IP68 rated tri-proof (dust, vapor & water-proof) luminaire
- Ultra-wide angle butterfly optics reducing required fixtures by up to 25%
- Optional wireless smart control system with motion & daylight sensing enabling greater savings and flexibility
- Available with adjustable swivel mounting system for various wall mount applications
- Titanium rated high efficiency LED driver with smart circuitry
- L70 ≥ 135,000 hours with an exceptional 10-year limited warranty
- Designed and engineered in the USA

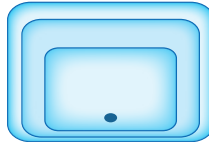
IL3525 Series

LED Wall Mount Lighting

Optic Options

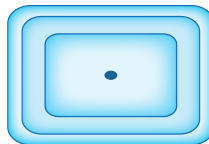
02 - Type II / wall mount & perimeter lighting applications

M - Medium



S5 - Type V Rectangular / symmetric for canopies, tunnels, parking garages and wide flood applications

M - Medium



F5 - Type V Opaque - Frosted / symmetric for ultra uniform & low glare applications

L - Long



Mounting Options



Swivel Mounting System - SWL

IL3525 Series

LED Wall Mount Lighting

Ordering Information

IL3525 -	Wattage	Voltage	Optics	Pitch	CCT	Driver & Control *	Mounting
	035 = 35Watt 055 = 55Watt 075 = 75Watt 100 = 100Watt	UV = 100-277VAC HV = 200-480VAC DV = 127-390VDC	02 = Type II S5 = Type V Rectangular F5 = Type V Frosted	M = Medium L = Long	30 = 3000K 40 = 4000K 50 = 5000K	ND = Non-Dimmable DM = Dimmable DS = Daylight Sensor MS = Motion Sensor SC = Smart Control	SWL = Swivel Mount

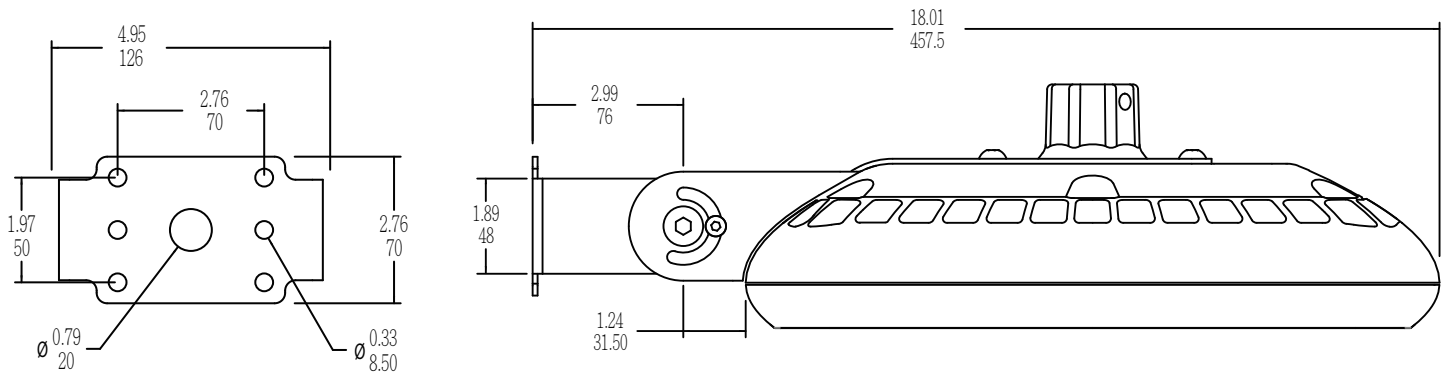
NOTE: Gray is the standard exterior color.

* Smart control & daylight sensor available with ZHAGA standard receptacle module for AC powered models only.

Example

Part Number	Part Description
IL3525-075UV-02M-50ND-SWL	LED Wall Mount Light / 75 Watt / 100-277VAC / Type II / Medium Pitch / 5000K Cool White / Non-Dimmable / Swivel Mount

External Dimensions



Packaging Information

Case Quantity	Dimensions (LxWxH)	Weight
1	38.5 x 28.5 x 16.5 cm 15.2 x 11.25 x 6.5 in	5.7 kg 12.5 lbs



IL3525 Series

LED Wall Mount Lighting

Specification - Type II Medium

Fixture Watts	35 W	55 W	75 W	100 W
Lumens (Total) *	5,215 lm	7,865 lm	10,500 lm	13,000 lm
Efficacy *	149 lm / W	143 lm / W	140 lm / W	130 lm / W
Number of LEDs & Driving Current	48@240mA	48@370mA	48@505mA	48@670mA
T _s - Solder Point Temp *	52°C / 126°F	56°C / 133°F	60°C / 140°F	63°C / 145°F
L70 Rating @ T _a 25°C	> 175K hours	> 160K hours	> 150K hours	> 135K hours
Operational Temperature (T _a)	-40° ~ 50°C / -40° ~ 122°F			
Input Voltage	100~277VAC 47~63Hz Optional 200~480VAC / 127~390VDC			
LED Model	Lumileds / Nichia / Cree			
CRI	>75			
Lighting Control	Dimmable (0-10V, PWM) / Smart Control / Daylight & Motion Sensor			
Warranty	10-Year Limited			
Storage Temperature / Humidity	-50° ~ 80°C / -58° ~ 176°F / IP68 Rated Fixture			
Transient Surge Protection	6kV / 3kA (L-L, L-G) Optional 10kV / 5kA			

* Test data @ T_a: 25°C. All lumen values have ±7% tolerance

Specification - Type V Rectangular

Fixture Watts	35 W	55 W	75 W	100 W
Lumens (Total) *	5,320 lm	8,030 lm	10,725 lm	13,300 lm
Efficacy *	152 lm / W	146 lm / W	143 lm / W	133 lm / W
Number of LEDs & Driving Current	48@240mA	48@370mA	48@505mA	48@670mA
T _s - Solder Point Temp *	50°C / 122°F	54°C / 131°F	58°C / 136°F	62°C / 144°F
L70 Rating @ T _a 25°C	> 175K hours	> 160K hours	> 150K hours	> 135K hours
Operational Temperature (T _a)	-40° ~ 50°C / -40° ~ 122°F			
Input Voltage	100~277VAC 47~63Hz Optional 200~480VAC / 127~390VDC			
LED Model	Lumileds / Nichia / Cree			
CRI	>75			
Lighting Control	Dimmable (0-10V, PWM) / Smart Control / Daylight & Motion Sensor			
Warranty	10-Year Limited			
Storage Temperature / Humidity	-50° ~ 80°C / -58° ~ 176°F / IP68 Rated Fixture			
Transient Surge Protection	6kV / 3kA (L-L, L-G) Optional 10kV / 5kA			

* Test data @ T_a: 25°C. All lumen values have ±7% tolerance

IL3525 Series

LED Wall Mount Lighting

Specification - Type V Frosted

Fixture Watts	35 W	55 W	75 W	100 W
Lumens (Total) *	4,830 lm	7,315 lm	9,750 lm	12,000 lm
Efficacy *	138 lm / W	133 lm / W	130 lm / W	120 lm / W
Number of LEDs & Driving Current	48@240mA	48@370mA	48@505mA	48@670mA
T _s - Solder Point Temp *	51°C / 124°F	55°C / 131°F	59°C / 138°F	64°C / 147°F
L70 Rating @ T _a 25°C	> 175K hours	> 160K hours	> 150K hours	> 135K hours
Operational Temperature (T _a)	-40° ~ 50°C / -40° ~ 122°F			
Input Voltage	100~277VAC 47~63Hz Optional 200~480VAC / 127~390VDC			
LED Model	Lumileds / Nichia / Cree			
CRI	>75			
Lighting Control	Dimmable (0-10V, PWM) / Smart Control / Daylight & Motion Sensor			
Warranty	10-Year Limited			
Storage Temperature / Humidity	-50° ~ 80°C / -58° ~ 176°F / IP68 Rated Fixture			
Transient Surge Protection	6kV / 3kA (L-L, L-G) Optional 10kV / 5kA			

* Test data @ T_a: 25°C. All lumen values have ±7% tolerance
NOTE: Light intensities measured directly below fixture