

IL450 Series

LED Billboard Lighting



Advantages of IL450

- Technologically advanced LED billboard / signage luminaire
- Available in 100 ~ 220 Watt configurations with various optics
- Ultra-bright industry leading high efficacy up to 170 lm / W
- Proprietary reflector optics enabling glare-free uniform lighting for all billboard and signage applications
- Advanced thermal technology enables low LED junction temperatures (Tj) for maintenance free long life
- IP68 rated tri-proof (dust, vapor & water-proof) luminaire
- Optional wireless smart control system with daylight sensor enabling greater savings and flexibility
- Available with adjustable swivel mount for various signage applications
- Titanium rated high efficiency LED driver with smart circuitry
- L70 ≥ 150,000 hours with an exceptional 10-year limited warranty
- Designed and engineered in the USA

Applications

- Outdoor Billboards
- Murals & Signage
- Painted Billboards
- Highway Signage



Years Warranty



Smart Control



Wet Location



Impact Resistance

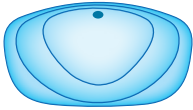
IL450 Series

LED Billboard Lighting

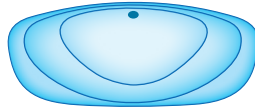
Optic Options

B2 - Billboard Lighting / asymmetric for billboards and signage applications

S - Short



M - Medium



Mounting Information



Swivel Mounting System

Part Number

SWL-IL45-SS

Part Description

Variable Angle Swivel Mounting Bracket / Stainless Steel

IL450 Series

LED Billboard Lighting - 150Watt

Ordering Information

IL45	Wattage	Voltage	Optics	Pitch	CCT	Driver & Control *	Mounting
	100 = 100W 125 = 125W 150 = 150W 185 = 185W 220 = 220W	UV = 100-277VAC HV = 200-480VAC DV = 127-390VDC	B2 = Billboard	S = Short M = Medium	30 = 3000K 40 = 4000K 50 = 5000K	ND = Non-Dimmable DM = Dimmable DS = Daylight Sensor SC = Smart Control	SWL = Swivel Mount

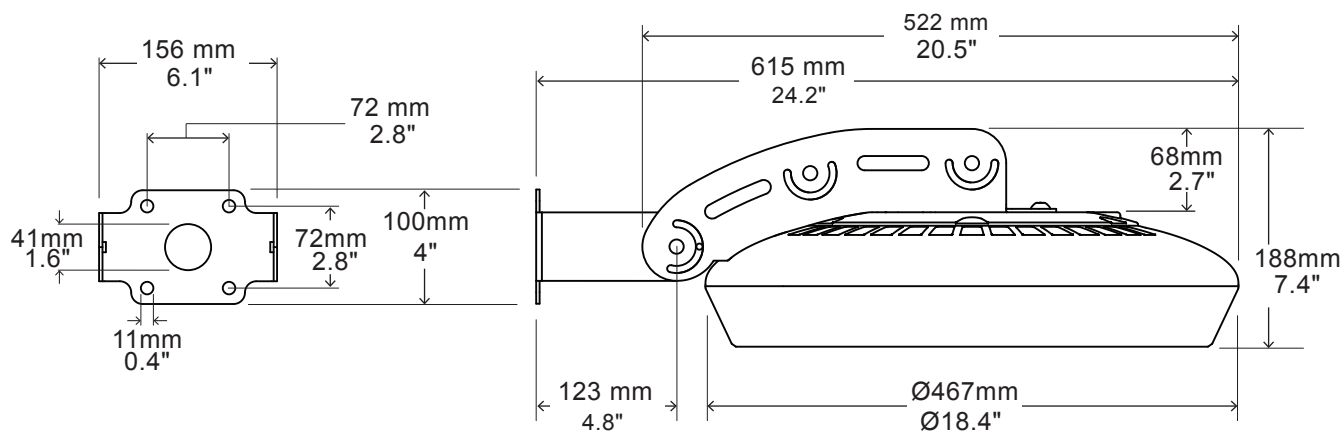
NOTE: Gray is the standard exterior color. Please specify extension arm pipe diameter and thread size.

* Smart control & daylight sensor available with ZHAGA standard receptacle module.

Example

Part Number	Part Description
IL45150UV-B2S-50DS-SWL	LED Billboard Light / 150Watt / 100-277VAC / Billboard / Short Pitch / 5000K Cool White / Daylight Sensor / Swivel Mount

External Dimensions



Packaging Information

Case Quantity	Dimensions (LxWxH)	Weight
1	50 x 50 x 22.5 cm 19.7 x 19.7 x 8.9 in	12.5 kg 27.5 lbs



IL450 Series

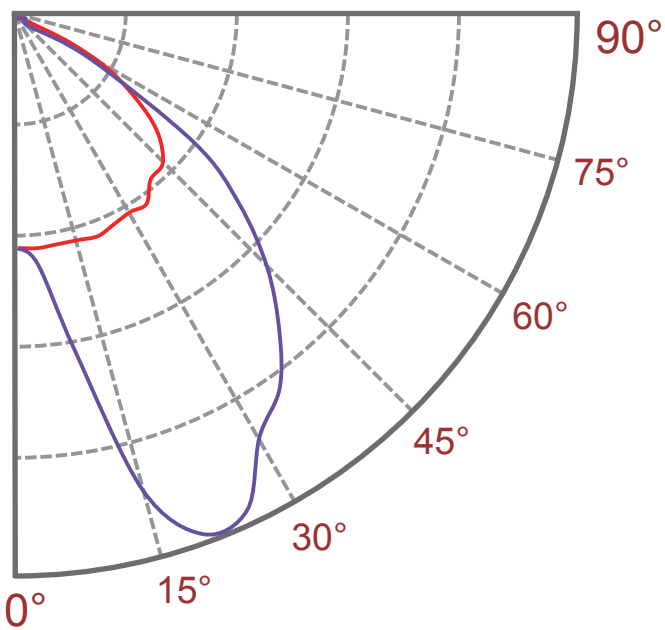
LED Billboard Lighting - 150Watt

Specification - B2 Billboard Short

Fixture Watts	150 W
Lumens (Total)*	21,450 lm
Efficacy *	143 lm / W
Number of LEDs & Driving Current	96@515mA
T _s - Solder Point Temp *	59°C / 138°F
L70 Rating @ T _a 25°C	>175K hours
Operational Temperature (T _a)	-40° ~ 55°C / -40° ~ 131°F
Input Voltage	100~277VAC 47~63Hz Optional 200~480VAC / 127~390VDC
LED Model	Lumileds / Nichia / Cree
CRI	>75
Lighting Control	Dimmable (0-10V, PWM) / Smart Control / Daylight Sensor
Warranty	10-Year Limited
Storage Temp. / Humidity	-50° ~ 80°C / -58° ~ 176°F / IP68 Rated Fixture
Transient Surge Protection	10kV / 5kA (L-L, L-G) Optional 20kV / 10kA

* Test data @ T_a: 25°C. All lumen values have ±7% tolerance
 NOTE: Light intensities measured directly below fixture

Light Distribution Curve



C0/C180 —
 C90/C270 —

Zonal Lumen Summary

Zone (°)	Lumens	% Fixture
0-30	.6,692	31.2%
0-40	11,540	53.8%
0-60	20,056	93.5%
0-90	21,429	99.9%
0-180	21,450	100.0%

IL450 Series

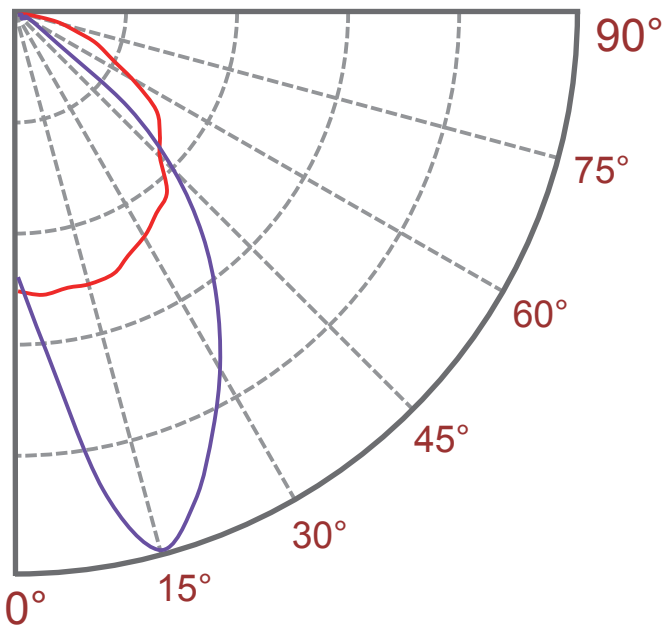
LED Billboard Lighting - 150Watt

Specification - B2 Billboard Medium

Fixture Watts	150 W
Lumens (Total)*	20,700 lm
Efficacy *	138 lm / W
Number of LEDs & Driving Current	96@515mA
T _s - Solder Point Temp *	59°C / 138°F
L70 Rating @ T _a 25°C	>175K hours
Operational Temperature (T _a)	-40° ~ 55°C / -40° ~ 131°F
Input Voltage	100~277VAC 47~63Hz Optional 200~480VAC / 127~390VDC
LED Model	Lumileds / Nichia / Cree
CRI	>75
Lighting Control	Dimmable (0-10V, PWM) / Smart Control / Daylight Sensor
Warranty	10-Year Limited
Storage Temp. / Humidity	-50° ~ 80°C / -58° ~ 176°F / IP68 Rated Fixture
Transient Surge Protection	10kV / 5kA (L-L, L-G) Optional 20kV / 10kA

* Test data @ T_a: 25°C. All lumen values have ±7% tolerance
 NOTE: Light intensities measured directly below fixture

Light Distribution Curve



C0/C180 —
 C90/C270 —

Zonal Lumen Summary

Zone (°)	Lumens	% Fixture
0-30	6,914	33.4%
0-40	10,971	53.0%
0-60	17,657	85.3%
0-90	20,638	99.7%
0-180	20,700	100.0%