

# ILX3525 Series

LED Food Processing Lighting



## Advantages of ILX3525

- NSF-certified LED food & beverage processing light
- Available in 35 ~ 100 Watt configurations with various optics
- Ultra-bright industry leading high efficacy up to 150 lm / W
- Wide angle butterfly optics enabling glare-free, uniform lighting
- Advanced thermal technology enables low LED junction temperatures (T<sub>j</sub>) for maintenance free long life
- IP69K-rated tri-proof (dust, vapor & water-proof) light, high pressure washable up to 1800PSI
- Hazardous area and high temperature rated with an operational temperature of -40 ~ +60°C (-40 ~ +140°F)
- Industrial grade powder coating and copper-free aluminum build for complete corrosion resistance
- Marine-rated stainless steel fasteners and trimmings
- Optional wireless smart control system enabling greater savings and flexibility
- Available with versatile mounting options for various food & beverage processing applications
- Titanium rated high efficiency LED driver with smart circuitry
- L70 ≥ 135,000 hours with an exceptional 10-year limited warranty
- Designed and engineered in the USA

## Applications

- Canneries
- Meat Packing Plants
- Slaughterhouses
- Rendering Plants
- Sugar Mills
- Dairy Processing Facilities
- Bottling Plants & Breweries
- Chicken Farms

# ILX3525 Series

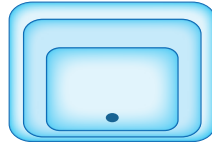
LED Food Processing Lighting

## Optic Options

**02 - Type II** / wall mount & perimeter lighting applications

---

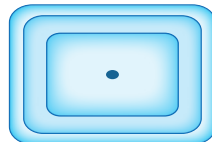
**M - Medium**



**S5 - Type V Rectangular** / symmetric for canopies, tunnels, parking garages and wide flood applications

---

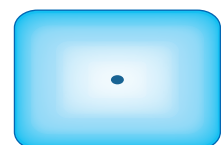
**M - Medium**



**F5 - Type V Opaque - Frosted** / symmetric for ultra uniform & low glare applications

---

**L - Long**



# ILX3525 Series

## LED Food Processing Lighting

### Mounting Options



#### Snap & Slide Surface Mounting System

Part Number	Part Description
SSL-ILX3525-SS	Snap & Slide Surface Mount Bracket / Stainless Steel



#### Swivel Mounting System

Part Number	Part Description
SWL-ILX3525-SS	Variable Angle Swivel Mounting Bracket / Stainless Steel



#### Chain Chandelier Mounting System

Part Number	Part Description
CH4-ILX3525-45SS	4 Link Chain Chandelier System / 18" (45cm) / Stainless Steel
CH4-ILX3525-90SS	4 Link Chain Chandelier System / 36" (90cm) / Stainless Steel



#### Pendant Mounting System

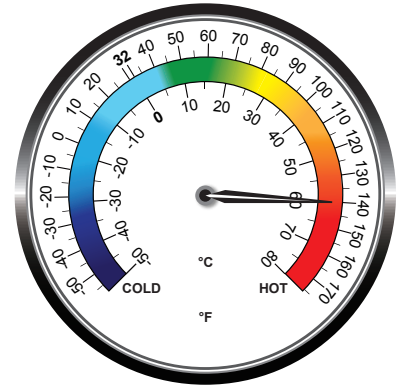
Part Number	Part Description
PDS-ILX3525	Pendant Mounting Interface / 3/4" Pipe Not Included

# ILX3525 Series

## LED Food Processing Lighting

### Thermal Management

The new ILX3525 LED drivers are designed specifically for extreme application lighting that requires high ambient operating temperatures. It utilizes the latest topology in electronic circuitry design with state of the art military and industrial grade components. The LED driver is encapsulated with thermal potting into a dedicated heat sink for better thermal performance and greater flexibility for service and maintenance. The ILX3525 LED driver module delivers an outstanding 95% efficiency and is designed to last over 60,000 hours in harsh environments with high operating ambient temperatures.



System Watts	T6 Temperature Code Ambient Temperature Range		T5 Temperature Code Ambient Temperature Range		T4a Temperature Code Ambient Temperature Range	
	°F	°C	°F	°C	°F	°C
35 W	-40°F ~ 140°F	-40°C ~ 60°C	-40°F ~ 140°F	-40°C ~ 60°C		
55 W	-40°F ~ 131°F	-40°C ~ 55°C	-40°F ~ 140°F	-40°C ~ 60°C		
75 W	-40°F ~ 122°F	-40°C ~ 50°C	-40°F ~ 140°F	-40°C ~ 60°C		
100 W	-40°F ~ 113°F	-40°C ~ 45°C	-40°F ~ 131°F	-40°C ~ 55°C	-40°F ~ 140°F	-40°C ~ 60°C



Years Warranty



Smart Control



Wet Location



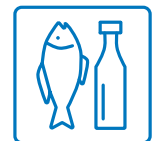
Pressure Washable



Impact Resistance



High Temperature



Food Processing

# ILX3525 Series

LED Food Processing Lighting - 55Watt

## Ordering Information

ILX3525 -	Wattage	Voltage	Optics	Pitch	CCT	Driver & Control *	Mounting **
	035 = 35Watt 055 = 55Watt 075 = 75Watt 100 = 100Watt	UV = 100-277VAC HV = 200-480VAC DV = 127-390VDC	02 = Type II S5 = Type V Rectangular F5 = Type V Frosted	M = Medium L = Long	30 = 3000K 40 = 4000K 50 = 5000K	ND = Non-Dimmable DM = Dimmable SC = Smart Control	PDS = Pendant Mount SWL = Swivel Mount SSL = Snap & Slide Mount CH4 = 4 Chain Mount

NOTE: Gray is the standard exterior color.

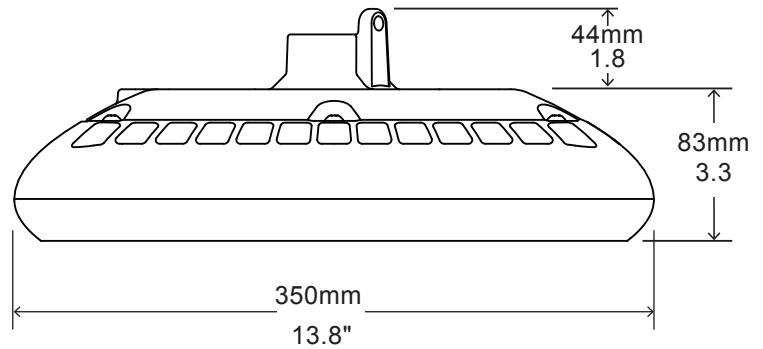
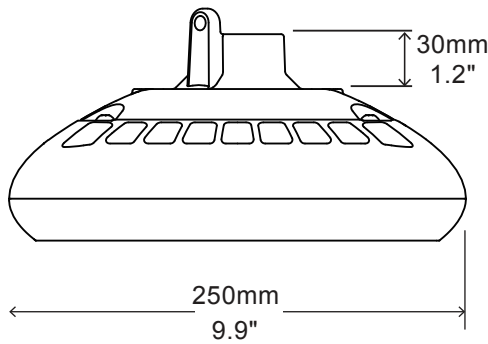
\* Smart control available with ZHAGA standard receptacle module.

\*\* PDS is the standard mounting system, with 1" NPT threaded hole.

## Example

Part Number	Part Description
ILX3525-055UV-S5M-50ND-SSL	LED Food Processing Light / 55 Watt / 100-277VAC / Type V Rectangular / Medium Pitch / 5000K Cool White / Dimmable / Snap & Slide Mount

## External Dimensions



## Packaging Information

Case Quantity	Dimensions (LxWxH)	Weight
1	38.5 x 28.5 x 16.5 cm 15.2 x 11.25 x 6.5 in	5.7 kg 12.5 lbs



# ILX3525 Series

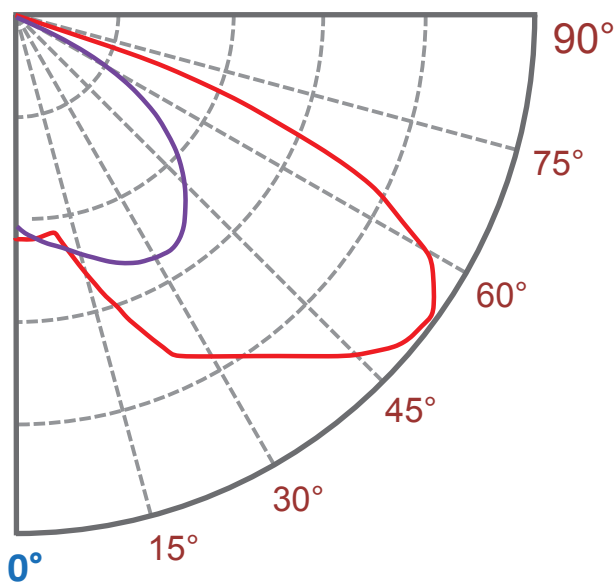
LED Food Processing Lighting - 55Watt

## Specification - Type II Medium

Fixture Watts	55 W
Lumens (Total) *	7,865 lm
Efficacy *	143 lm / W
Number of LEDs & Driving Current	48@370mA
T <sub>s</sub> - Solder Point Temp *	56°C / 133°F
L70 Rating @ T <sub>a</sub> 25°C	> 160K hours
Operational Temperature (T <sub>a</sub> )	-40° ~ 60°C / -40° ~ 140°F
Input Voltage	100~277VAC 47~63Hz Optional 200~480VAC / 127~390VDC
LED Model	Lumileds / Nichia / Cree
CRI	>75
Lighting Control	Dimmable (0-10V, PWM) / Smart Control
Warranty	10-Year Limited
Storage Temperature / Humidity	-50° ~ 80°C / -58° ~ 176°F / IP69K Rated Fixture
Transient Surge Protection	10kV / 5kA (L-L, L-G) Optional 20kV / 10kA

\* Test data @ T<sub>a</sub>: 25°C. All lumen values have ±7% tolerance  
 NOTE: Light intensities measured directly below fixture

### Light Distribution Curve



C0/C180 —  
 C90/C270 —

### Zonal Lumen Summary

Zone (°)	Lumens	% Fixture
0-30	2533	32.2%
0-40	4570	58.1%
0-60	7338	93.3%
0-90	7818	99.4%
0-180	7865	100.0%

# ILX3525 Series

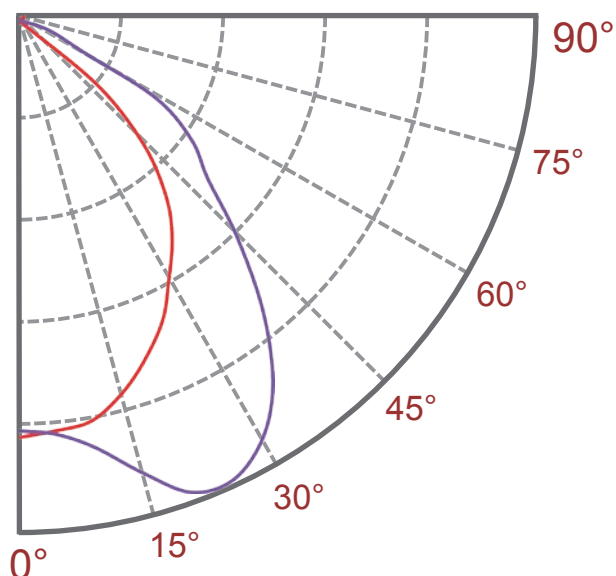
LED Food Processing Lighting - 55Watt

## Specification - Type V Rectangular

Fixture Watts	55 W
Lumens (Total) *	8,030 lm
Efficacy *	146 lm / W
Number of LEDs & Driving Current	48@370mA
T <sub>s</sub> - Solder Point Temp *	54°C / 131°F
L70 Rating @ T <sub>a</sub> 25°C	> 160K hours
Operational Temperature (T <sub>a</sub> )	-40° ~ 60°C / -40° ~ 140°F
Input Voltage	100~277VAC 47~63Hz Optional 200~480VAC / 127~390VDC
LED Model	Lumileds / Nichia / Cree
CRI	>75
Lighting Control	Dimmable (0-10V, PWM) / Smart Control
Warranty	10-Year Limited
Storage Temperature / Humidity	-50° ~ 80°C / -58° ~ 176°F / IP69K Rated Fixture
Transient Surge Protection	10kV / 5kA (L-L, L-G) Optional 20kV / 10kA

\* Test data @ T<sub>a</sub>: 25°C. All lumen values have ±7% tolerance  
NOTE: Light intensities measured directly below fixture

### Light Distribution Curve



C0/C180 —  
C90/C270 —

### Zonal Lumen Summary

Zone (°)	Lumens	% Fixture
0-30	3019	37.6%
0-40	4866	60.6%
0-60	7629	95.0%
0-90	8006	99.7%
0-180	8030	100.0%

# ILX3525 Series

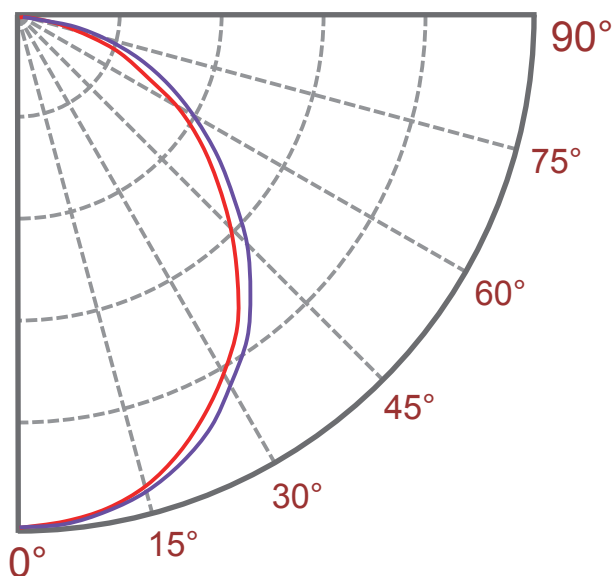
LED Food Processing Lighting - 55Watt

## Specification - F5 Type V Frosted

Fixture Watts	55 W
Lumens (Total) *	7,315 lm
Efficacy *	133 lm / W
Number of LEDs & Driving Current	48@370mA
T <sub>s</sub> - Solder Point Temp *	55°C / 131°F
L70 Rating @ T <sub>a</sub> 25°C	> 160K hours
Operational Temperature (T <sub>a</sub> )	-40° ~ 60°C / -40° ~ 140°F
Input Voltage	100~277VAC 47~63Hz Optional 200~480VAC / 127~390VDC
LED Model	Lumileds / Nichia / Cree
CRI	>75
Lighting Control	Dimmable (0-10V, PWM) / Smart Control
Warranty	10-Year Limited
Storage Temperature / Humidity	-50° ~ 80°C / -58° ~ 176°F / IP69K Rated Fixture
Transient Surge Protection	10kV / 5kA (L-L, L-G) Optional 20kV / 10kA

\* Test data @ T<sub>a</sub>: 25°C. All lumen values have ±7% tolerance  
 NOTE: Light intensities measured directly below fixture

### Light Distribution Curve



C0/C180 ————  
 C90/C270 ————

### Zonal Lumen Summary

Zone (°)	Lumens	% Fixture
0-30	2370	32.4%
0-40	3789	51.8%
0-60	6115	83.6%
0-90	7271	99.4%
0-180	7315	100.0%