

ILX3525 Series

LED Hazardous Area Lighting



Advantages of ILX3525

- Technologically advanced LED hazardous area light fixture
- Available in 35 ~ 100 Watt configurations with various optics
- Ultra-bright industry leading high efficacy up to 150 lm / W
- Wide angle butterfly optics enabling glare-free, uniform lighting
- Advanced thermal technology enables low LED junction temperatures (Tj) for maintenance free long life
- Hazardous location and high temperature rated with an operational temperature of -40 ~ +60°C (-40 ~ +140°F)
- IP69K-rated tri-proof (dust, vapor & water-proof) luminaire
- Industrial grade powder coating and copper-free aluminum build for complete corrosion resistance
- Marine-rated stainless steel fasteners and trimmings
- Optional wireless smart control system with motion & daylight sensor enabling greater savings and flexibility
- Available with versatile mounting options for various hazardous area applications
- Titanium rated high efficiency LED driver with smart circuitry
- L70 ≥ 135,000 hours with an exceptional 10-year limited warranty
- Designed and engineered in the USA

Applications

- Offshore Oil Platforms
- Refineries
- Gas-to-Liquid (GTL) Plants
- Terminals & Tank Farms
- Sub-Surface Mineshafts
- Conveyor Belts
- Ball / Tube Mill Facilities
- Tunnel Boring

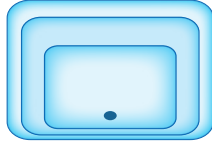
ILX3525 Series

LED Hazardous Area Lighting

Optic Options

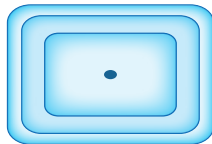
02 - Type II / wall mount & perimeter lighting applications

M - Medium



S5 - Type V Rectangular / symmetric for canopies, tunnels, parking garages and wide flood applications

M - Medium



F5 - Type V Opaque - Frosted / symmetric for ultra uniform & low glare applications

L - Long



ILX3525 Series

LED Hazardous Area Lighting

Mounting Options



Swivel Mounting System

Part Number	Part Description
SWL-ILX3525-SS	Variable Angle Swivel Mounting Bracket / Stainless Steel



Pendant Mounting System

Part Number	Part Description
PDS-ILX3525	Pendant Mounting Interface / 3/4" Pipe Not Included



90° Stanchion Mounting System

Part Number	Part Description
S90-ILX3525	90° Stanchion Mounting System / Die-Cast Aluminum



25° Stanchion Mounting System

Part Number	Part Description
S25-ILX3525	25° Stanchion Mounting System / Die-Cast Aluminum



90° Stanchion Wall Mounting System

Part Number	Part Description
WS9-ILX3525	90° Stanchion Wall Mounting System / Die-Cast Aluminum



25° Stanchion Wall Mounting System

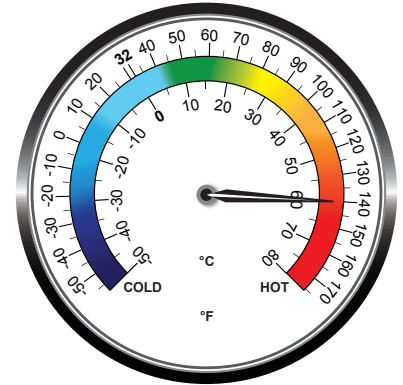
Part Number	Part Description
WS2-ILX3525	25° Stanchion Wall Mounting System / Die-Cast Aluminum

ILX3525 Series

LED Hazardous Area Lighting

Thermal Management

The new ILX3525 LED drivers are designed specifically for extreme application lighting that requires high ambient operating temperatures. It utilizes the latest topology in electronic circuitry design with state of the art military and industrial grade components. The LED driver is encapsulated with thermal potting into a dedicated heat sink for better thermal performance and greater flexibility for service and maintenance. The ILX3525 LED driver module delivers an outstanding 95% efficiency and is designed to last over 60,000 hours in harsh environments with high operating ambient temperatures.



System Watts	T6 Temperature Code Ambient Temperature Range		T5 Temperature Code Ambient Temperature Range		T4a Temperature Code Ambient Temperature Range	
	°F	°C	°F	°C	°F	°C
35 W	-40°F ~ 140°F	-40°C ~ 60°C	-40°F ~ 140°F	-40°C ~ 60°C		
55 W	-40°F ~ 131°F	-40°C ~ 55°C	-40°F ~ 140°F	-40°C ~ 60°C		
75 W	-40°F ~ 122°F	-40°C ~ 50°C	-40°F ~ 140°F	-40°C ~ 60°C		
100 W	-40°F ~ 113°F	-40°C ~ 45°C	-40°F ~ 131°F	-40°C ~ 55°C	-40°F ~ 140°F	-40°C ~ 60°C



Years Warranty



Smart Control



Wet Location



Pressure Washable



Impact Resistance



High Temperature



Hazardous Area

ILX3525 Series

LED Hazardous Area Lighting - 55Watt

Ordering Information

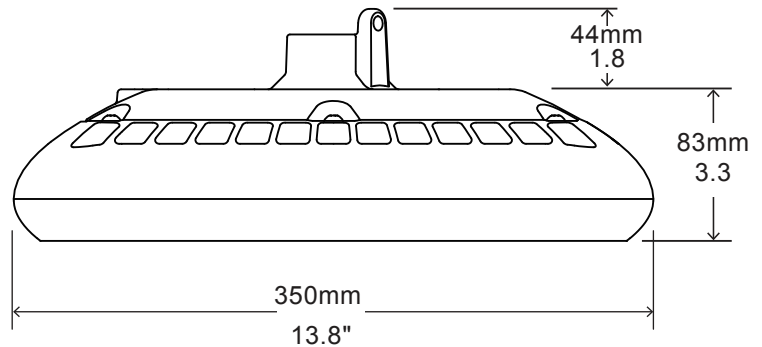
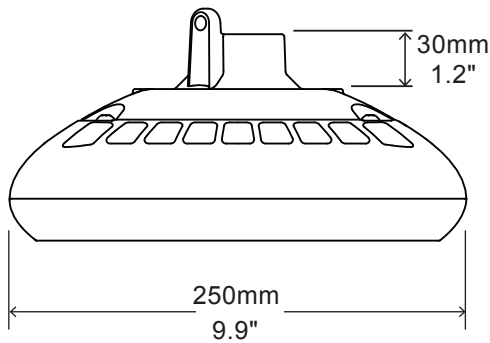
ILX3525	Wattage	Voltage	Optics	Pitch	CCT	Driver & Control	Mounting *
	035 = 35Watt 055 = 55Watt 075 = 75Watt 100 = 100Watt	UV = 100-277VAC HV = 200-480VAC DV = 127-390VDC	O2 = Type II S5 = Type V Rectangular F5 = Type V Frosted	M = Medium L = Long	30 = 3000K 40 = 4000K 50 = 5000K	ND = Non-Dimmable DM = Dimmable DS = Daylight Sensor MS = Motion Sensor SC = Smart Control	PDS = Pendant Mount SWL = Swivel Mount S90 = 90° Stanchion Mount S25 = 25° Stanchion Mount WS9 = 90° Stan Wall Mount WS2 = 25° Stan Wall Mount

* PDS is the standard mounting system, please specify conduit diameter of NPT ¾" or 1".
NOTE: Gray is the standard exterior color.

Example

Part Number	Part Description
ILX3525-055UV-S5M-50DM-PDS	LED Hazardous Area Light / 55 Watt / 100-277VAC / Type V Rectangular / Medium Pitch / 5000K Cool White / Dimmable / Pendant Mount

External Dimensions



Packaging Information

Case Quantity	Dimensions (LxWxH)	Weight
1	38.5 x 28.5 x 16.5 cm 15.2 x 11.25 x 6.5 in	5.7 kg 12.5 lbs



ILX3525 Series

LED Hazardous Area Lighting - 55Watt

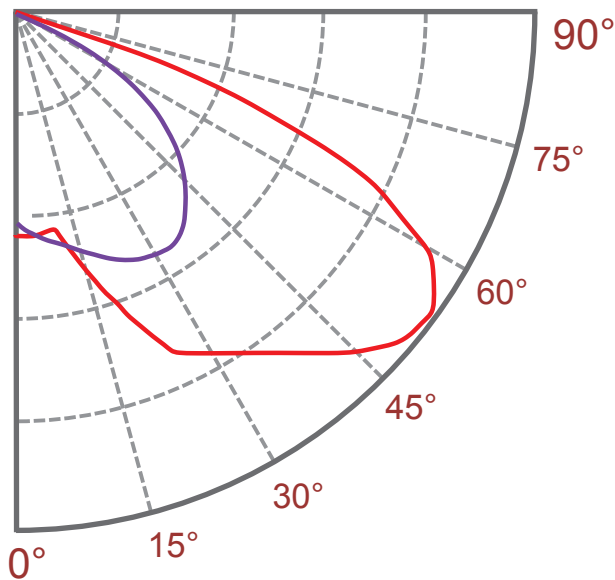
Specification - Type II Medium

Fixture Watts	55 W
Lumens (Total) *	7,865 lm
Efficacy *	143 lm / W
Number of LEDs & Driving Current	48@370mA
T _s - Solder Point Temp *	56°C / 133°F
L70 Rating @ T _a 25°C	> 160K hours
Operational Temperature (T _a)	-40° ~ 60°C / -40° ~ 140°F
Input Voltage	100~277VAC 47~63Hz Optional 200~480VAC / 127~390VDC
LED Model	Lumileds / Nichia / Cree
CRI	>75
Lighting Control	Dimmable (0-10V, PWM) / Smart Control / Daylight & Motion Sensor
Warranty	10-Year Limited
Storage Temperature / Humidity	-50° ~ 80°C / -58° ~ 176°F / IP69K Rated Fixture
Transient Surge Protection	10kV / 5kA (L-L, L-G) Optional 20kV / 10kA

* Test data @ T_a: 25°C. All lumen values have ±7% tolerance

NOTE: Light intensities measured directly below fixture

Light Distribution Curve



C0/C180 —
 C90/C270 —

Zonal Lumen Summary

Zone (°)	Lumens	% Fixture
0-30	2533	32.2%
0-40	4570	58.1%
0-60	7338	93.3%
0-90	7818	99.4%
0-180	7865	100.0%

ILX3525 Series

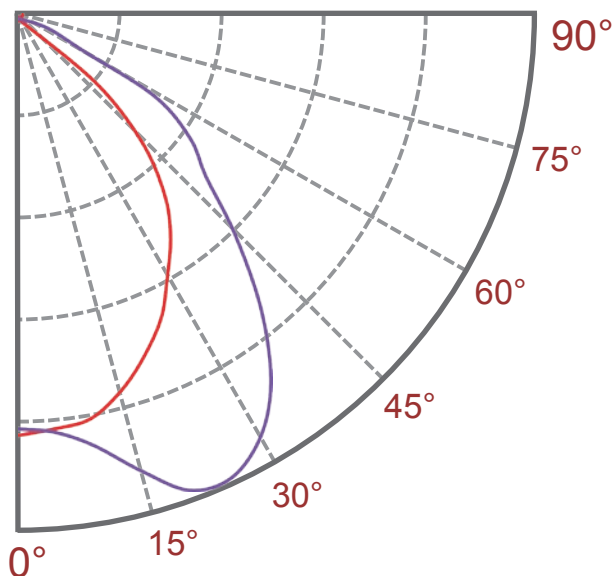
LED Hazardous Area Lighting - 55Watt

Specification - Type V Rectangular

Fixture Watts	55 W
Lumens (Total) *	8,030 lm
Efficacy *	146 lm / W
Number of LEDs & Driving Current	48@370mA
T _s - Solder Point Temp *	54°C / 131°F
L70 Rating @ T _a 25°C	> 160K hours
Operational Temperature (T _a)	-40° ~ 60°C / -40° ~ 140°F
Input Voltage	100~277VAC 47~63Hz Optional 200~480VAC / 127~390VDC
LED Model	Lumileds / Nichia / Cree
CRI	>75
Lighting Control	Dimmable (0-10V, PWM) / Smart Control / Daylight & Motion Sensor
Warranty	10-Year Limited
Storage Temperature / Humidity	-50° ~ 80°C / -58° ~ 176°F / IP69K Rated Fixture
Transient Surge Protection	10kV / 5kA (L-L, L-G) Optional 20kV / 10kA

* Test data @ T_a: 25°C. All lumen values have ±7% tolerance
 NOTE: Light intensities measured directly below fixture

Light Distribution Curve



C0/C180 —
 C90/C270 —

Zonal Lumen Summary

Zone (°)	Lumens	% Fixture
0-30	3019	37.6%
0-40	4866	60.6%
0-60	7629	95.0%
0-90	8006	99.7%
0-180	8030	100.0%

ILX3525 Series

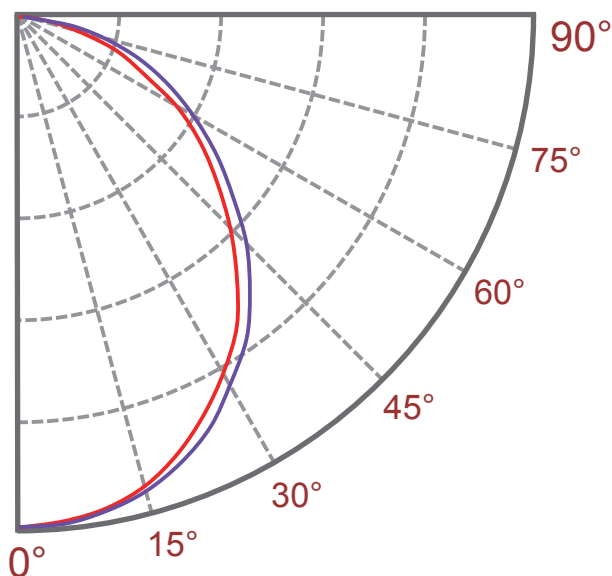
LED Hazardous Area Lighting - 55Watt

Specification - F5 Type V Frosted

Fixture Watts	55 W
Lumens (Total) *	7,315 lm
Efficacy *	133 lm / W
Number of LEDs & Driving Current	48@370mA
T _s - Solder Point Temp *	55°C / 131°F
L70 Rating @ T _a 25°C	> 160K hours
Operational Temperature (T _a)	-40° ~ 60°C / -40° ~ 140°F
Input Voltage	100~277VAC 47~63Hz Optional 200~480VAC / 127~390VDC
LED Model	Lumileds / Nichia / Cree
CRI	>75
Lighting Control	Dimmable (0-10V, PWM) / Smart Control / Daylight & Motion Sensor
Warranty	10-Year Limited
Storage Temperature / Humidity	-50° ~ 80°C / -58° ~ 176°F / IP69K Rated Fixture
Transient Surge Protection	10kV / 5kA (L-L, L-G) Optional 20kV / 10kA

* Test data @ T_a: 25°C. All lumen values have ±7% tolerance
 NOTE: Light intensities measured directly below fixture

Light Distribution Curve



C0/C180 ————
 C90/C270 ————

Zonal Lumen Summary

Zone (°)	Lumens	% Fixture
0-30	2370	32.4%
0-40	3789	51.8%
0-60	6115	83.6%
0-90	7271	99.4%
0-180	7315	100.0%