

## ITEMS INCLUDED FOR INSTALLATION

- One LU Series Linear LED Luminaire
- Multi Hanger mounting kit
- Installation manual

## FEATURES AND APPLICATIONS

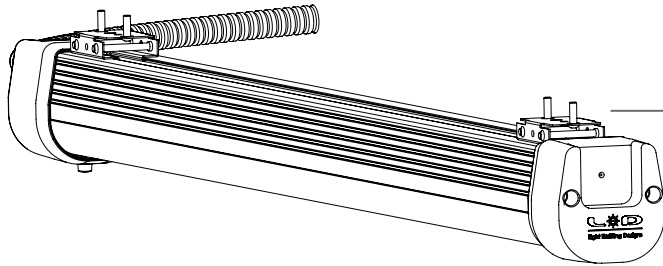
- L70 Rating @ Ta 25°C Over 80,000 hour rated life
- All-purpose LED utility lighting with short ROI period
- Cost effective solution as a true LED replacement with a 7-Year Warranty
- Glare-Free, 240° comfortable uniform lighting for all working environments
- Easy to install
- Food processing plants
- Chicken / livestock farming
- Clean rooms
- Parking structures
- Utility Lighting
- Mining
- Convenience Stores

# LU Series

## INSTALLATION GUIDE

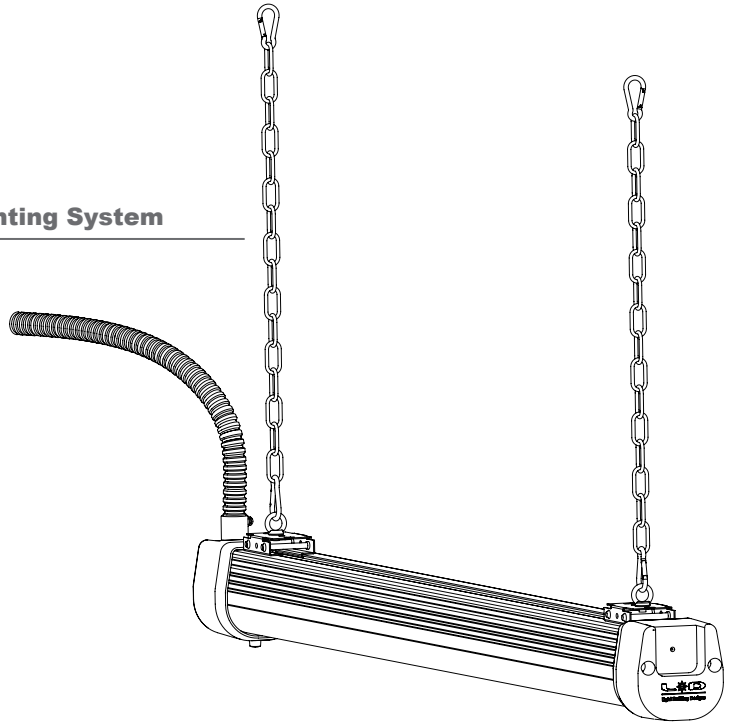
## 20-120Watt LED Linear Utility Lighting

### Mounting Options

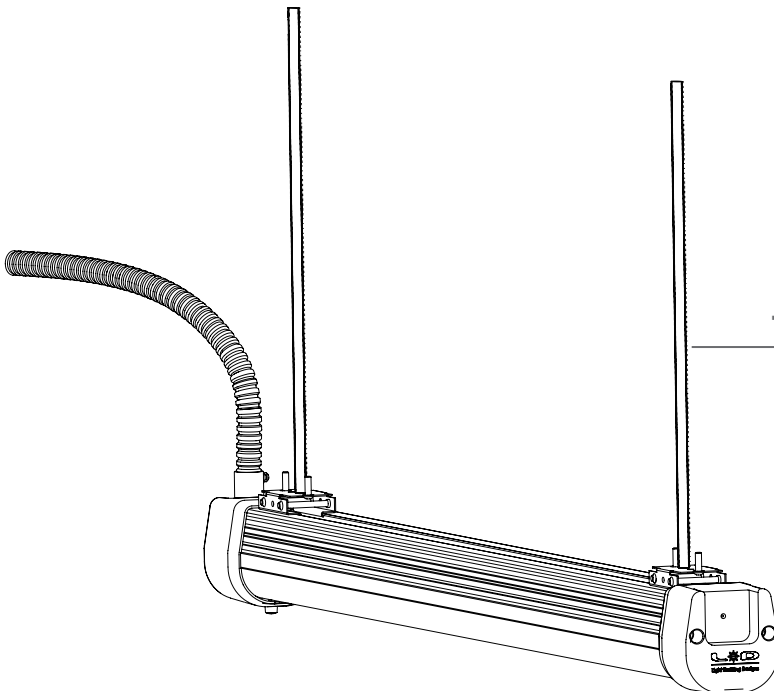


Surface Mounting System - SMH

CH2 - Chain Mounting System



Threaded Rod Mounting System - SMH



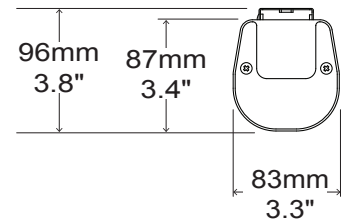
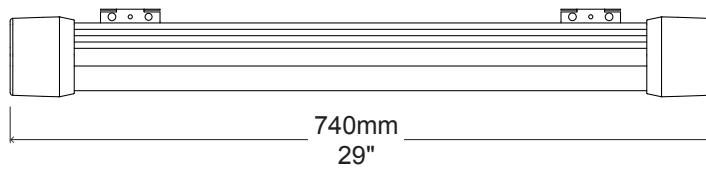
# LU Series

## INSTALLATION GUIDE

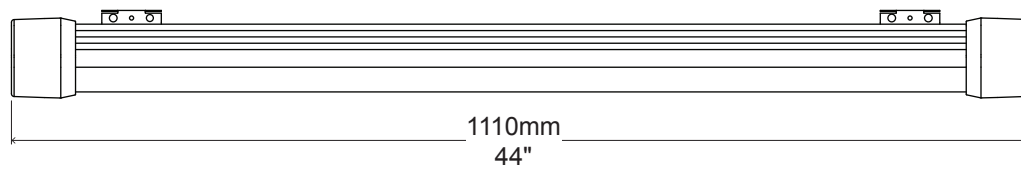
## 20-120Watt LED Linear Utility Lighting

### External Dimensions

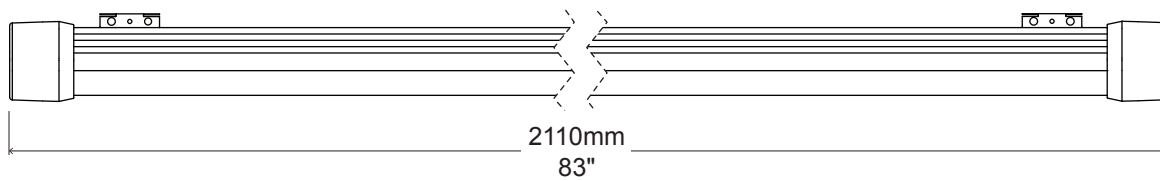
#### LU0720



#### LU1040 / LU1E40 / LU1060 / LU1E60



#### LU2080 / LU2120



### Packaging Information

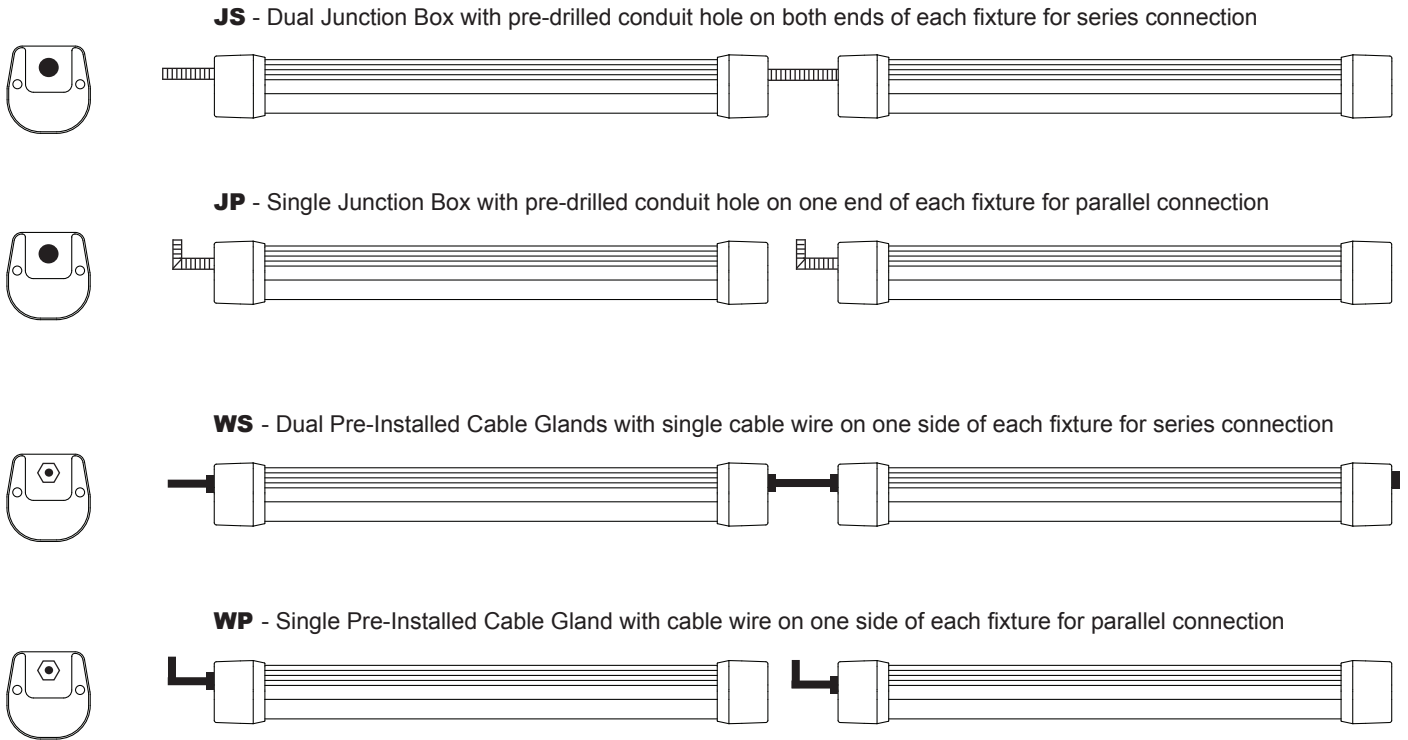
Model	Case Quantity	Dimensions (L x W x H)	Weight
LU0720	6	83 x 36 x 21 cm 32.7 x 14 x 8.3 in	13 kg 28.6 lbs
LU1040	6	117 x 36 x 21 cm 46 x 14 x 8.3 in	18 kg 40 lbs
LU1E40/1E60	6	117 x 36 x 21 cm 46 x 14 x 8.3 in	18 kg 40 lbs
LU1060	6	117 x 36 x 21 cm 46 x 14 x 8.3 in	18 kg 40 lbs
LU2080	4	217 x 24 x 21 cm 85.5 x 9.5 x 8.3 in	26.5 kg 58.4 lbs
LU2120	4	217 x 24 x 21 cm 85.5 x 9.5 x 8.3 in	26.5 kg 58.4 lbs

# LU Series

## INSTALLATION GUIDE

## 20-120Watt LED Linear Utility Lighting

### Wiring Options



### WARNING

#### RISK OF ELECTRIC SHOCK

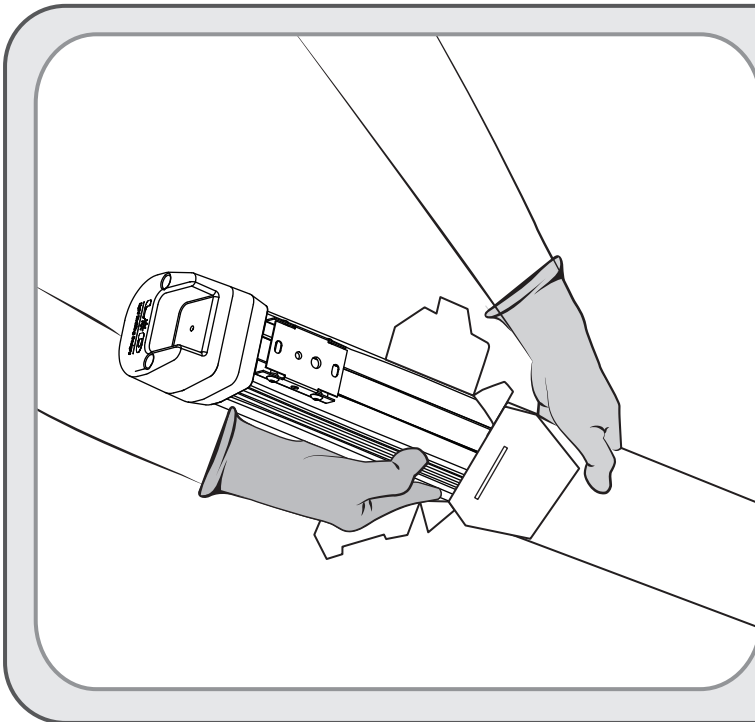
- Installation must be done by a certified electrician and / or qualified personnel.
- Make sure to turn OFF the main power from the circuit breaker or fuse box before installing, servicing or inspecting this fixture.
- Make sure all grounding wires are connected correctly.

#### RISK OF FIRE

- Ensure that all line voltage wire is intended for specified product wattage.
- Use UL and / or CE approved wires for all input connections, minimum size required 22 AWG (0.33mm<sup>2</sup>)
- Do not use this product in environments where the temperatures could exceed **55°C (131°F)**

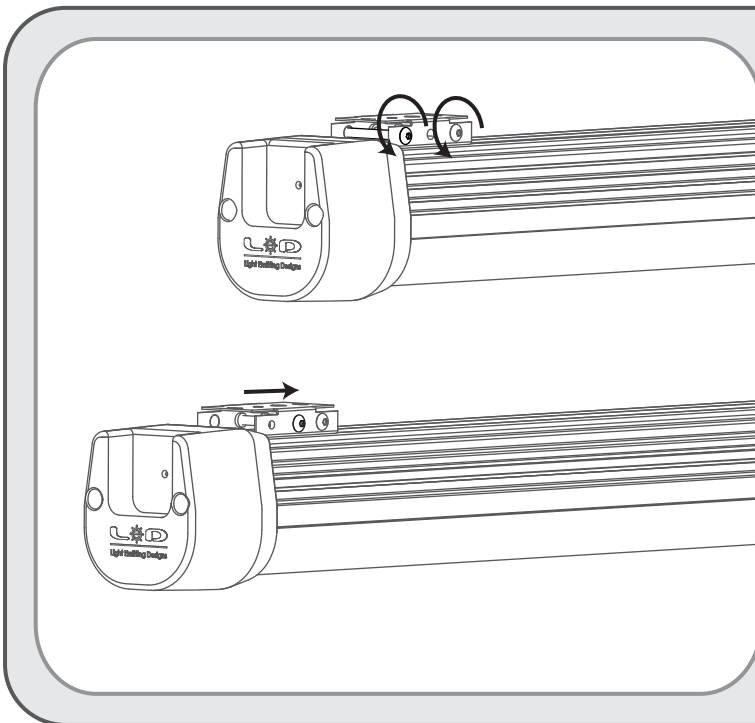
\* BEFORE YOU INSTALL this fixture please read these instructions carefully and completely

1.



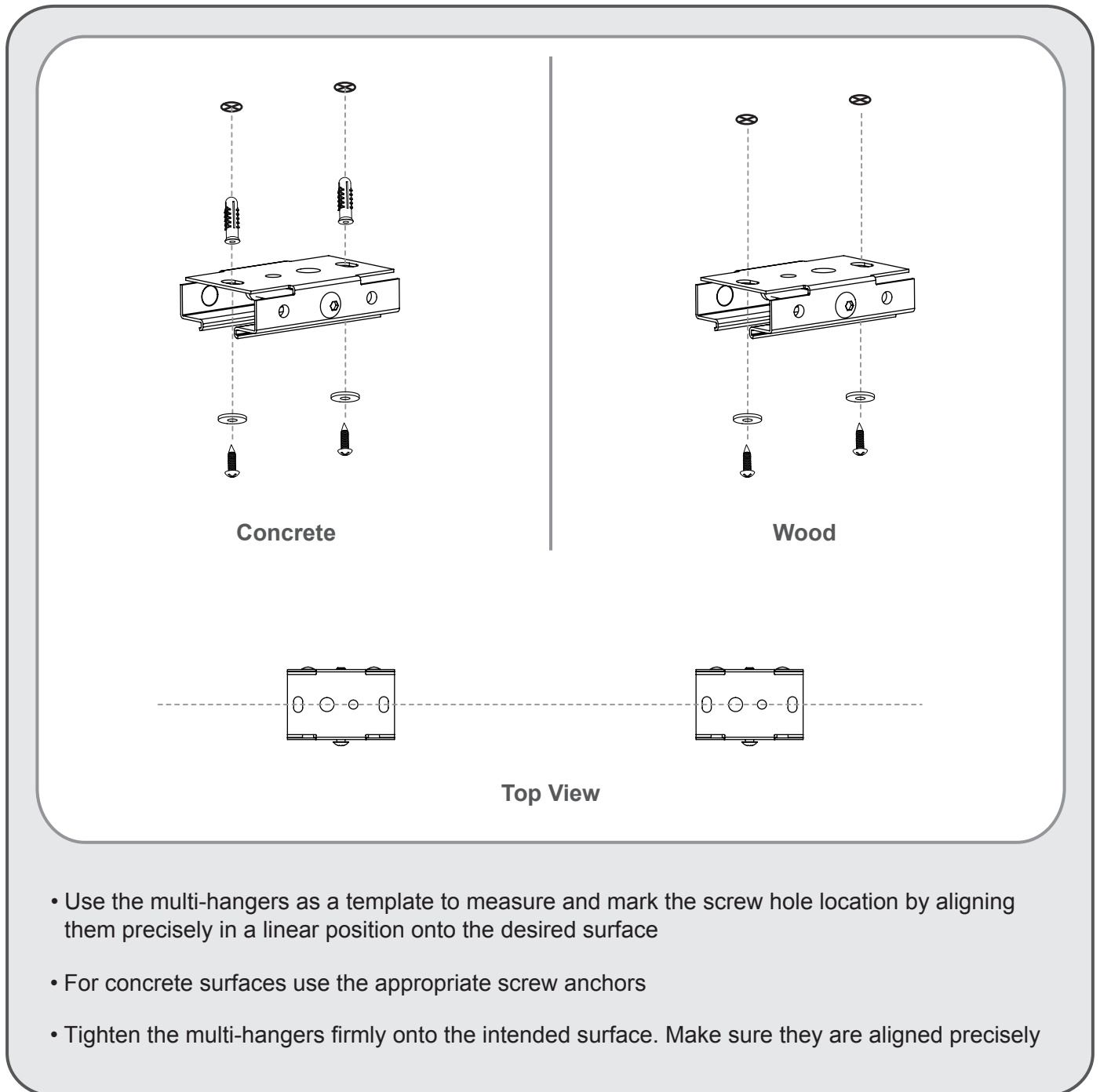
- Handle fixture with care while unpacking the unit from its packaging and carefully examine the unit for defects before installing. Report any damage and save all packing materials if any part is damaged during transport. We recommend wearing work gloves when installing this fixture to prevent dirt and oil from coming into contact with the fixture.

2.



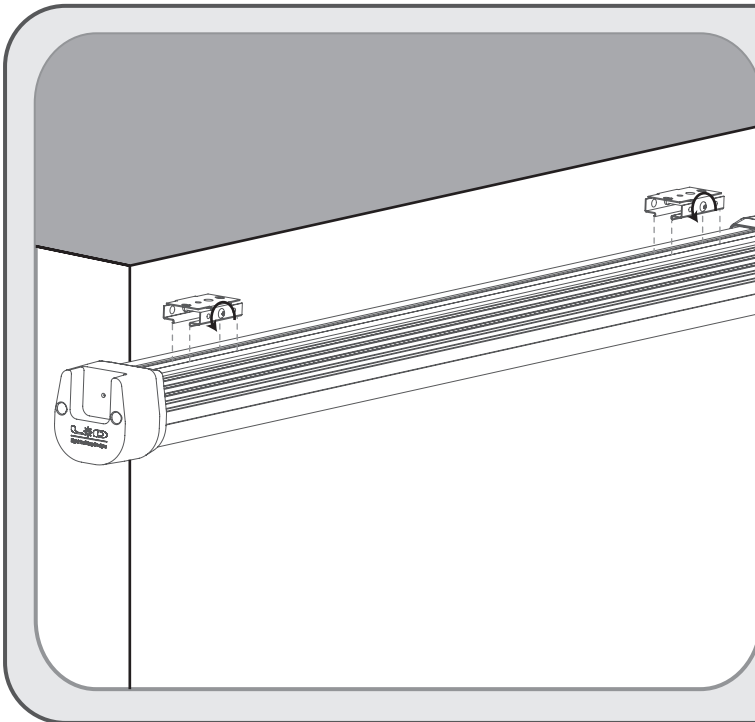
- Untighten the two screws from the multi-hanger substantially, then remove one of screws enabling the multi-hanger dove tail mechanism to freely slide across the fixture
- Tighten the removed screw in the middle threaded hole of the multi-hanger. This will contract the dove tail mechanism so you can remove the multi-hanger from the fixture

### 3.



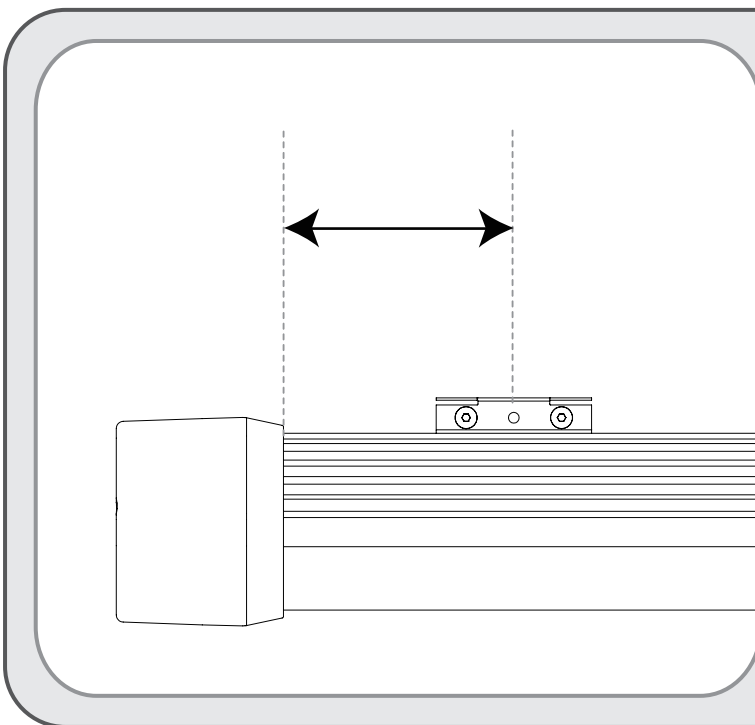
- Use the multi-hangers as a template to measure and mark the screw hole location by aligning them precisely in a linear position onto the desired surface
- For concrete surfaces use the appropriate screw anchors
- Tighten the multi-hangers firmly onto the intended surface. Make sure they are aligned precisely

4.



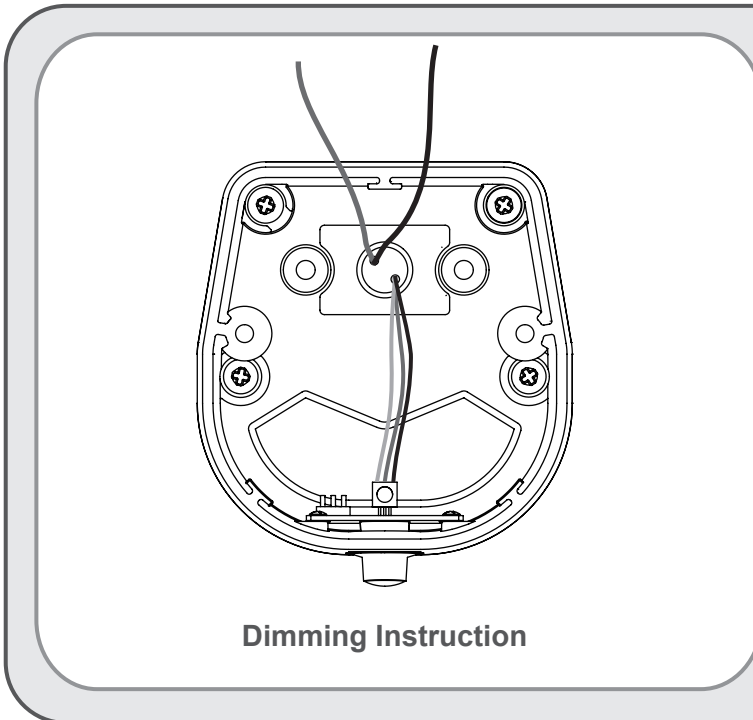
- Align and place the fixture firmly onto the multi-hangers fastened to the ceiling. Make sure the dove tail mechanism is fully inserted and the fixture is touching the multi-hanger along all surfaces.
- Hold the fixture firmly at this position while removing the center screws on each multi-hanger, this enables the dove tail mechanism to expand and interlock with the fixtures grooves.
- Tighten the screw that you have just removed in to the available open threaded hole. Tighten both screws until the tip of the screw sits into the concave groove on the other side edge of the multi-hanger. This enables the dove tail mechanism to further expand into the fixture groove making sure the fixture can support its weight

5.



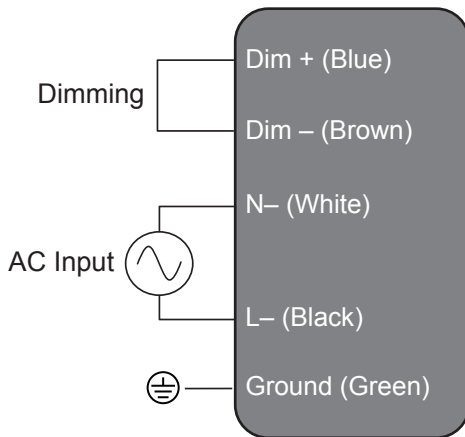
- Adjust the fixture to be centered with the multi-hangers.
- Tighten the two screws on each of the multi-hangers making sure the fixture is firmly attached and cannot slide.

### 6.



- Use the junction box cover as a template to mark the screw holes location onto the intended mounting surface.
- For concrete surfaces use a  $\text{Ø}9/32''$  (7mm) drill bit and drill holes 1-1/4" (32mm) deep at the marked locations. (Make sure that all dimensions are precise)
- Hammer the two concrete anchors into the two drilled holes until they are flush with the surface.
- Tighten the junction box cover firmly onto the intended surface with the two screws and washers provided in the mounting kit.
- For wooden surfaces use a  $\text{Ø}1/8''$  (3mm) drill bit and drill holes 7/8" (20mm) deep at the marked locations.
- Tighten the junction box cover firmly onto the intended surface with the two screws provided in the mounting kit.

## Wiring & Application Diagram



- NOTE:**
- Ensure that all line voltage wire is intended for specified product wattage.
  - Use UL and / or CE approved wires for all input connections, minimum size required 18 AWG (0.82mm<sup>2</sup>)
  - Refer to the specific dimmer installation manual for exact wiring instructions.

## ⚠ WARNING

### RISK OF ELECTRIC SHOCK

- Installation must be done by a certified electrician and / or qualified personnel.
- Make sure to turn OFF the main power from the circuit breaker or fuse box before installing, servicing or inspecting this luminaire.
- Make sure all grounding wires are connected correctly.