

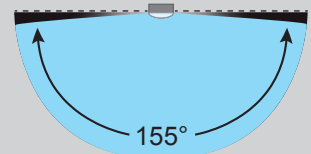
LU2120 Series

LED Industrial Linear Lighting



Advantages of LU Series

- IP67 rated tri-proof (dust, vapor & water-proof) LED linear industrial utility light
- High-efficacy fixture with up to 170 lm/W
- Flexible wattages and lengths ranging from 20~120 Watt
- Robust design with extruded billet aluminum housing and hard UV coated polycarbonate lens & end-caps delivering an outstanding IK10 impact rating
- Glare free 155° wide angle optics reducing fixture count by up to 25%
- Lightweight design with an accessible junction box for simplified installation
- 80 CRI for exceptional color rendition
- Optional smart motion sensing with soft dimming function
- Optional all-inclusive emergency battery backup system of 10 Watt for 90 minutes
- Versatile mounting options for all types of applications
- L70 ≥ 100,000 hours with 7-year limited warranty
- Designed and engineered in the USA



Wide Angle Optics

Applications

- Manufacturing Plants
- Warehouses
- Cold Storage Facilities
- Parking structures
- Telecom Centers
- Clean Rooms
- Supermarkets



Years Warranty



Wet Location

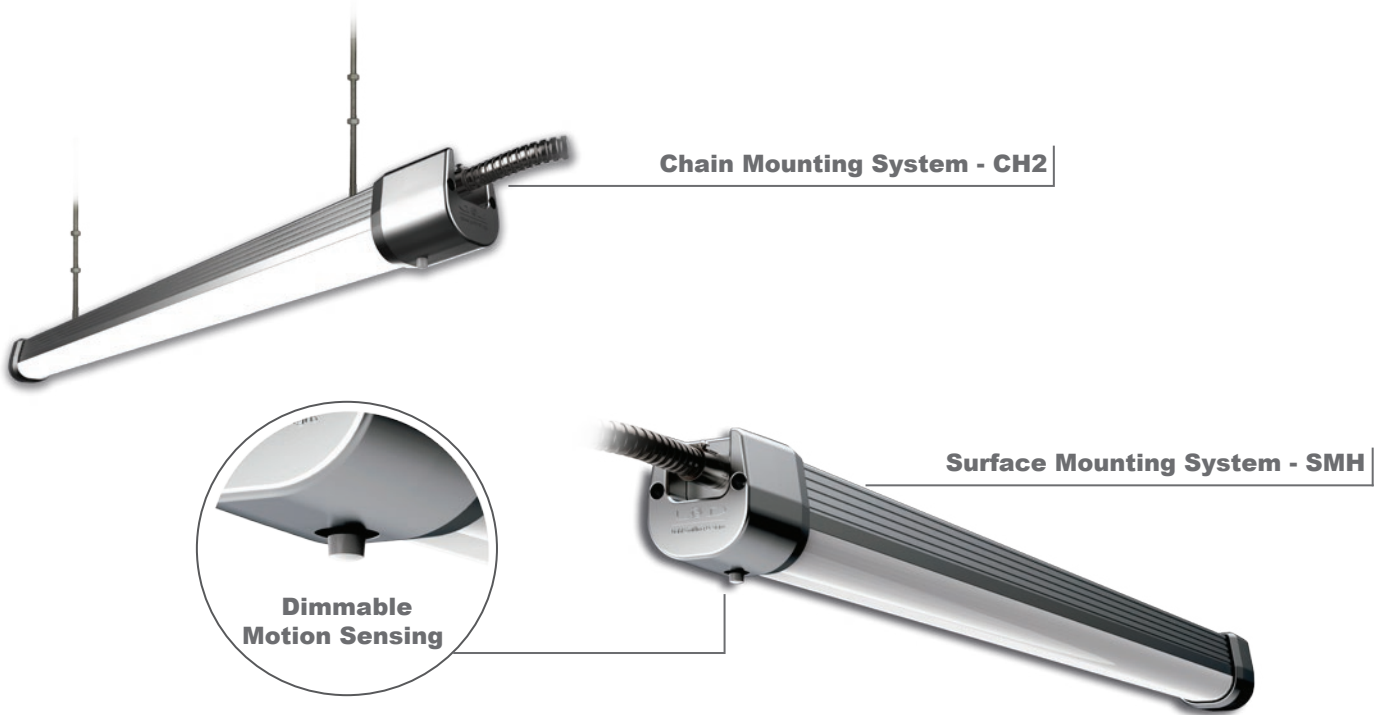


Impact Resistance

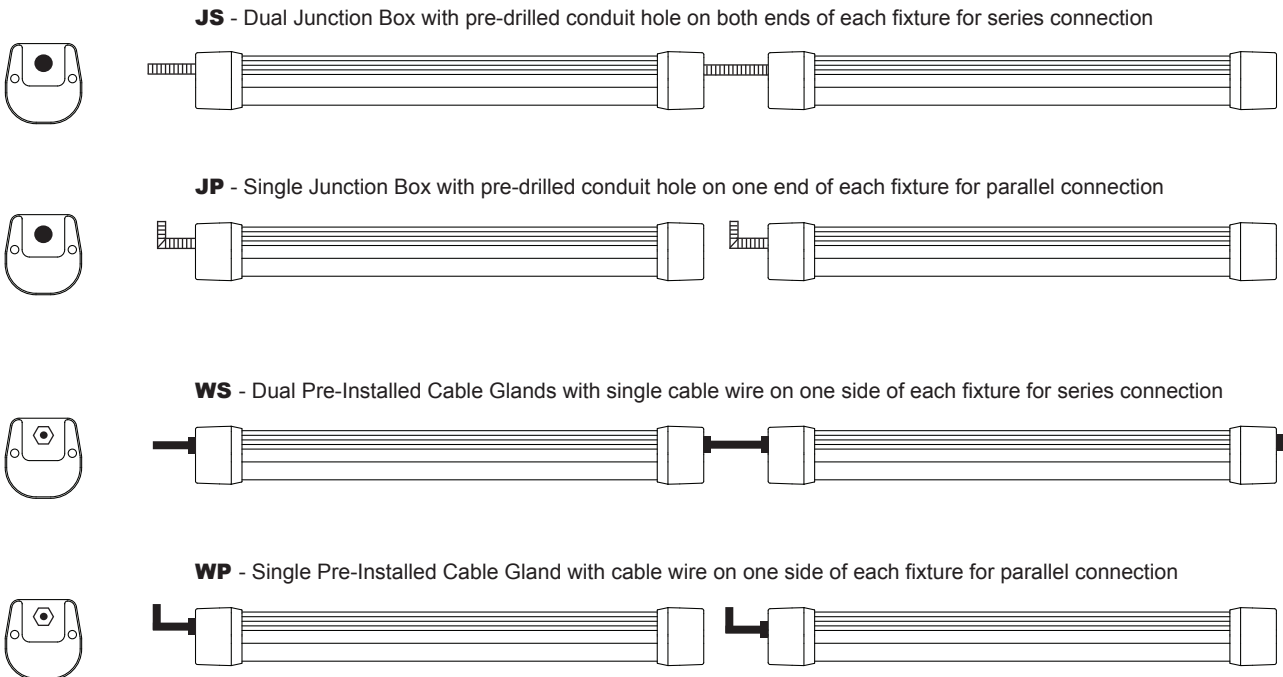
LU2120 Series

LED Industrial Linear Lighting

Mounting Options



Wiring Options



LU2120 Series

LED Industrial Linear Lighting - 120Watt

Ordering Information

LU	Length & Wattage *	Wiring **	Optics	CCT	Driver & Control	Mounting ***
	0720 = 74cm / 29" / 20Watt 1040 = 111cm / 44" / 40Watt 1E40 = 111cm / 44" / 40/10Watt 1060 = 111cm / 44" / 60Watt 1E60 = 111cm / 44" / 60/10Watt 2080 = 211cm / 83" / 80Watt 2120 = 211cm / 83" / 120Watt	JS = J-Box in Series JP = J-Box in Parallel WS = Cable in Series WP = Cable in Parallel	FL = Frosted Long CM = Clear Medium	30 = 3000K 40 = 4000K 50 = 5000K	ND = Non-Dimmable DM = Dimmable MS = Motion Sensor	SMH = Surface Mount CH2 = 2 Chain Mount

* LU1E emergency battery back up is available in standard 40 and 60 Watt configurations with an all-inclusive charger, battery, indicator and test switch.

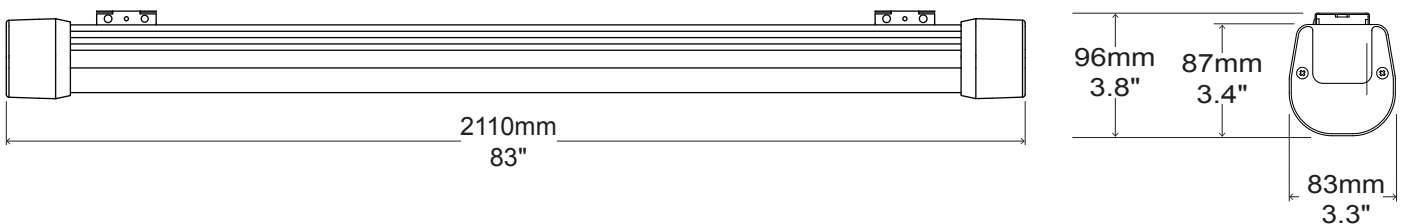
** When ordering JS or JP Wiring options, please specify required conduit hole diameter.

*** Multi Mount system comes standard enabling surface, threaded rod and chain mounting.

Example

Part Number	Part Description
LU2120-JSFL-50DM-SMH	LED Linear Industrial Light / 211cm - 83" / 120Watt / 100-277VAC / J-Box in Series / Frosted Long / 5000K Cool White / Dimmable / Surface Mount

External Dimensions



Packaging Information

Case Quantity	Dimensions (LxWxH)	Weight
4	216 x 36 x 23 cm 85.5 x 14 x 9 in	26.5 kg 58.4 lbs



LU2120 Series

LED Industrial Linear Lighting - 120Watt

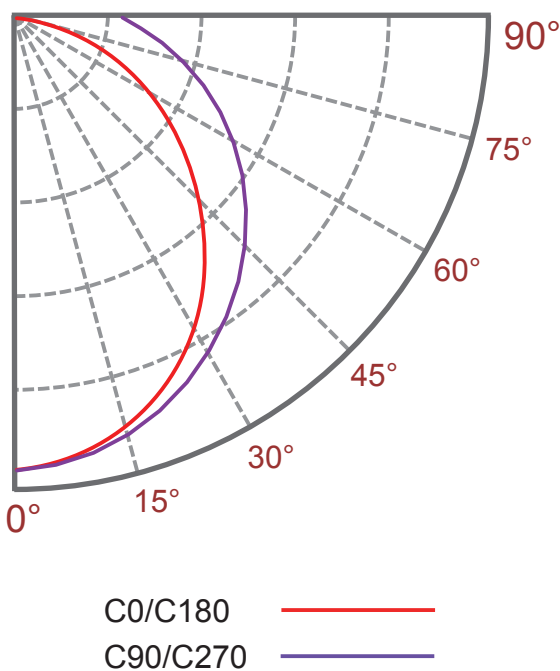
Specification - Clear Medium

Fixture Watts *	120 W
Lumens (Total) *	20,160 lm
Efficacy *	168 lm / W
Number of LEDs & Driving Current	572@65mA
T _s - Solder Point Temp *	58°C / 136°F
L70 Rating @ T _a 25°C	>90K hours
Light Beam Angle	155° @ 80% Flux
Operational Temperature (T _a)	-40° ~ 55°C / -40° ~ 131°F
Input Voltage	100-277VAC 50~60Hz
LED Model	Lumileds / Nichia / Cree
CRI	>80
Lighting Control	Dimmable (0-10V, PWM) / Motion Sensor
Warranty	7-Year Limited
Storage Temperature / Humidity	-40° ~ 80°C / -40° ~ 176°F / IP67 Rated Fixture
Transient Surge Protection	6kV / 3kA (L-L, L-G)

* Test data @ T_a 25°C. All lumen values have ±7% tolerance

**LU1E emergency battery back up series is available in standard 40 and 60 Watt configurations with an all-inclusive inverter, indicator, and test switch.

Light Distribution Curve



Zonal Lumen Summary

Zone (°)	Lumens	% Fixture
0-30	4512	22.4%
0-60	13158	65.3%
0-90	18418	91.4%
0-120	19914	98.8%
0-150	20140	99.9%
0-180	20160	100%

LU2120 Series

LED Industrial Linear Lighting - 120Watt

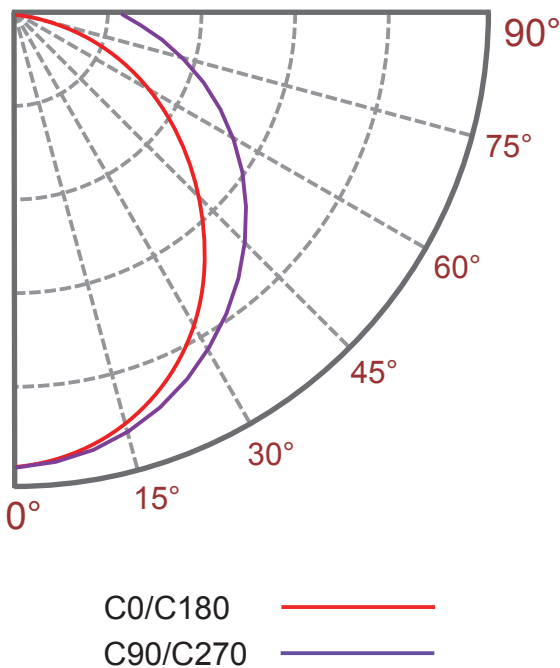
Specification - Frosted Long

Fixture Watts *	120 W
Lumens (Total) *	18,240 lm
Efficacy *	152 lm / W
Number of LEDs & Driving Current	572@65mA
T _s - Solder Point Temp *	60°C / 140°F
L70 Rating @ T _a 25°C	>90K hours
Light Beam Angle	155° @ 80% Flux
Operational Temperature (T _a)	-40° ~ 55°C / -40° ~ 131°F
Input Voltage	100-277VAC 50~60Hz
LED Model	Lumileds / Nichia / Cree
CRI	>80
Lighting Control	Dimmable (0-10V, PWM) / Motion Sensor
Warranty	7-Year Limited
Storage Temperature / Humidity	-40° ~ 80°C / -40° ~ 176°F / IP67 Rated Fixture
Transient Surge Protection	6kV / 3kA (L-L, L-G)

* Test data @ T_a 25°C. All lumen values have ±7% tolerance

**LU1E emergency battery back up series is available in standard 40 and 60 Watt configurations with an all-inclusive inverter, indicator, and test switch.

Light Distribution Curve



Zonal Lumen Summary

Zone (°)	Lumens	% Fixture
0-30	4082	22.4%
0-60	11906	65.3%
0-90	16664	91.4%
0-120	18018	98.8%
0-150	18222	99.9%
0-180	18240	100%