

RWB E40 Series

E40 LED Street Bulb



Applications

- Residential Streets
- Urban Roads
- Boulevards
- Perimeters
- Parking Lots
- Walkways



Years Warranty



Wet Location

Advantages of RWB E40

- Technologically advanced LED E40 standard street light bulbs
- Energy efficient high efficacy (180lm/W) E40 LED street light bulb
- Superior craftsmanship using high grade raw materials
- Direct replacement of up to 250W E40 standard street light bulbs
- Small footprint design available in 20 / 40 / 60 watt configurations
- Rotatable light engine enables field adjustable light direction after installation
- Wide angle optics with built in 15° vertical tilt for better uniformity
- Dark Sky compliant with full cut-off optics
- L70 ≥ 30,000 hours with an operational temperature of -20°C ~ 50°C
- Advanced thermal technology enables low LED junction temperatures (Tj) for longer lifespan
- High efficiency LED driver enables ballast free direct AC operation for maintenance free lifespan
- Cost effective retrofit solution with a short ROI period for budgetary street lighting projects
- IP65 rated with a 5-year limited warranty
- Designed and engineered in the USA

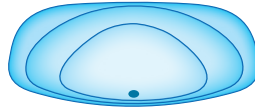
RWB E40 Series

E40 LED Street Light Bulb

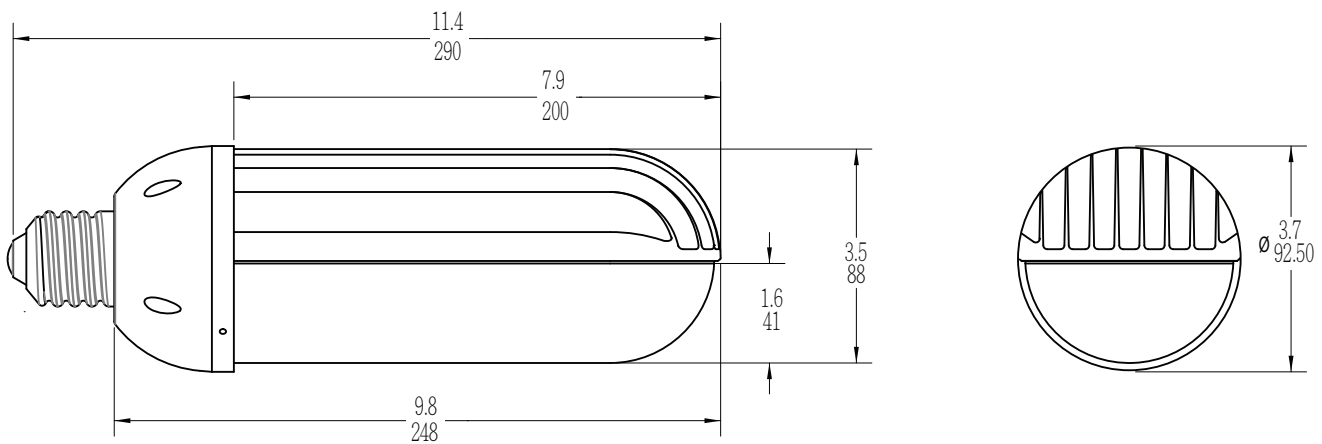
Optic Options

02 - Type II / asymmetric for street and pedestrian walkway applications

M - Medium



External Dimensions



RWB E40 Series

E40 LED Street Light Bulb - 20Watt

Ordering Information

RWBE4-	Wattage	Voltage	Optics	CCT	Driver & Control *
	020 = 20Watt 040 = 40Watt 060 = 60Watt	UV = 100-277VAC HV = 200-480VAC	02M = Type II Clear Medium F2L = Type II Frosted Long	30 = 3000K 40 = 4000K 50 = 5000K	ND = Non-Dimmable DS = Daylight Sensor

NOTE: Daylight sensing is available with externally mounted NEMA / ZHAGA standard receptacle module.

Example

Part Number	Part Description
RWBE4-020UV-02M-50ND	LED E40 Standard Street Light Bulb / 20 Watt / 100-277VAC / Type II Clear Medium / 5000K Cool White / Non-Dimmable

Packaging Information

Model	Case Quantity	Dimensions (LxWxH)	Weight
RWBE4	9	35.5 x 33.5 x 33.5 cm 14 x 13 x 13 in	16.6 kg 36.5 lbs



RWB E40 Series

E40 LED Street Light Bulb - 20Watt

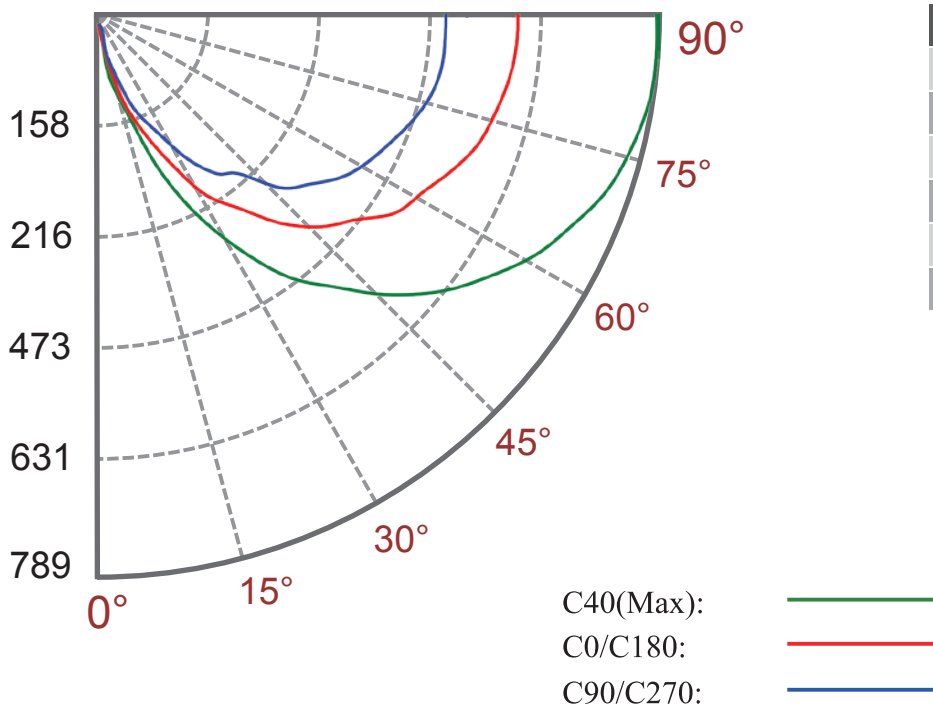
Specification - Type II Clear Medium

Fixture Watts	20 W
Lumens (Total) *	3,600 lm
Efficacy *	180 lm / W
Number of LEDs & Driving Current	162@40mA
Ts - Solder Point Temp*	62°C / 144°F
L70 Rating @ Ta 25°C	>75K Hours
Operational Temperature (Ta)	-25° ~ 50°C / -13° ~ 122°F
Input Voltage	100~277VAC 47~63Hz Optional 200~480VAC
LED Model	Nichia 3030
CRI	>85
Lighting Control	Daylight Sensor
Warranty	5-Year Limited
Storage Temp. / Humidity	-25° ~ 80°C / -13° ~ 176°F
Transient Surge Protection	6kV / 3kA (L-L, L-G)

* Test data @ Ta: 25°C. All lumen values have ±7% tolerance

NOTE: Light intensities measured directly below fixture

Light Distribution Curve



Zonal Lumen Summary

Zone (°)	Lumens	% Fixture
0-30	108	3.0%
0-40	252	7.00%
0-60	763	21.2%
0-90	1930	53.6%
0-120	3031	84.2%
0-180	3600	100%

RWB E40 Series

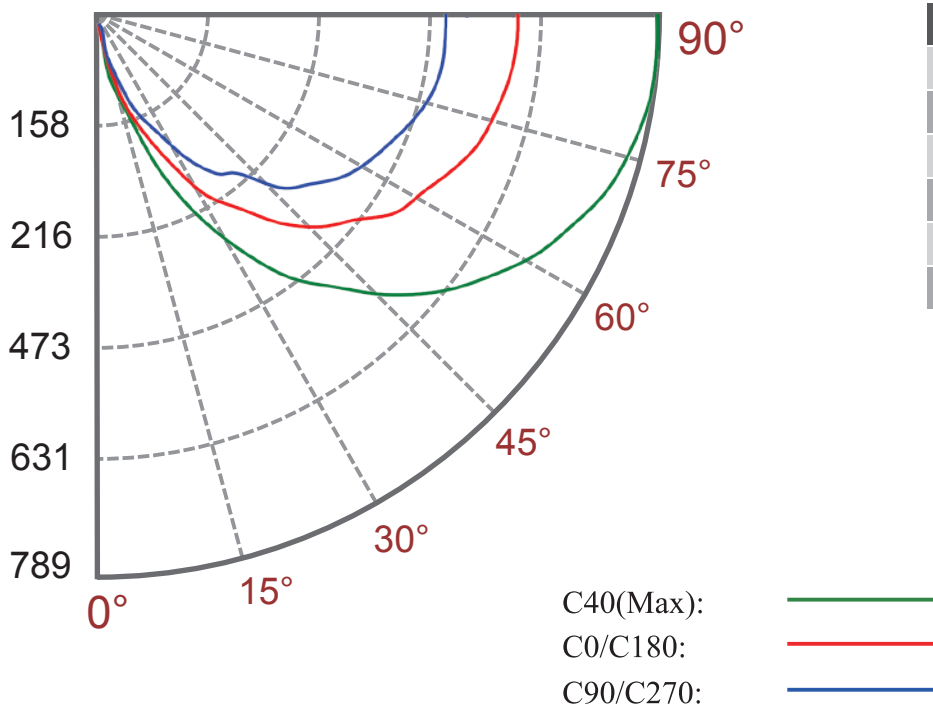
E40 LED Street Light Bulb - 20Watt

Specification - Type V Frosted Long

Fixture Watts	20 W
Lumens (Total) *	3,240 lm
Efficacy *	162 lm / W
Number of LEDs & Driving Current	162@40mA
Ts - Solder Point Temp*	64°C / 147°F
L70 Rating @ Ta 25°C	>75K Hours
Operational Temperature (Ta)	-25° ~ 50°C / -13° ~ 122°F
Input Voltage	100~277VAC 47~63Hz Optional 200~480VAC
LED Model	Nichia 3030
CRI	>85
Lighting Control	Daylight Sensor
Warranty	5-Year Limited
Storage Temp. / Humidity	-25° ~ 80°C / -13° ~ 176°F
Transient Surge Protection	6kV / 3kA (L-L, L-G)

* Test data @ Ta: 25°C. All lumen values have ±7% tolerance
 NOTE: Light intensities measured directly below fixture

Light Distribution Curve



Zonal Lumen Summary

Zone (°)	Lumens	% Fixture
0-30	97	3.0%
0-40	227	7.00%
0-60	687	21.2%
0-90	1737	53.6%
0-120	2728	84.2%
0-180	3240	100%