

# RWB E40 Series

LED STREET LIGHT BULB



# RWB E40 Series

## E40 LED Street Light Bulb



### Product Information

The RWB E40 is a technologically advanced E40 standard LED street light bulb designed specifically for the bulb retrofit market. Constructed from high grade raw materials, its compact IP66 rugged design incorporates the industry's highest power density. Advanced Thermal Technology enables low LED junction temperatures ( $T_j$ ) to ensure long LED life with extended lumen maintenance.

The RWB E40 is an ultra-bright industry leading high efficacy street light bulb that provides a cost-effective retrofit solution with a short ROI period for budgetary street lighting projects. It's backed by an exceptional 5-year limited warranty.

US and international patents pending.

### Applications

- Residential Streets
- Urban Roads
- Boulevards
- Perimeters
- Parking Lots
- Walkways

# RWB E40 Series

## E40 LED Street Light Bulb



Years Warranty



Wet Location

### Advantages of RWB E40

- Technologically advanced LED E40 standard street light bulbs
- Energy efficient high efficacy (180lm/W) E40 LED street light bulb
- Superior craftsmanship using high grade raw materials
- Direct replacement of up to 250W E40 standard street light bulbs
- Small footprint design available in 20 / 40 / 60 watt configurations
- Rotatable light engine enables field adjustable light direction after installation
- Wide angle optics with built in 15° vertical tilt for better uniformity
- Dark Sky compliant with full cut-off optics
- L70 ≥ 30,000 hours with an operational temperature of -20°C ~ 50°C
- Advanced thermal technology enables low LED junction temperatures (Tj) for longer lifespan
- High efficiency LED driver enables ballast free direct AC operation for maintenance free lifespan
- Cost effective retrofit solution with a short ROI period for budgetary street lighting projects
- IP65 rated with a 5-year limited warranty
- Designed and engineered in the USA

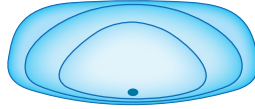
# RWB E40 Series

## E40 LED Street Light Bulb

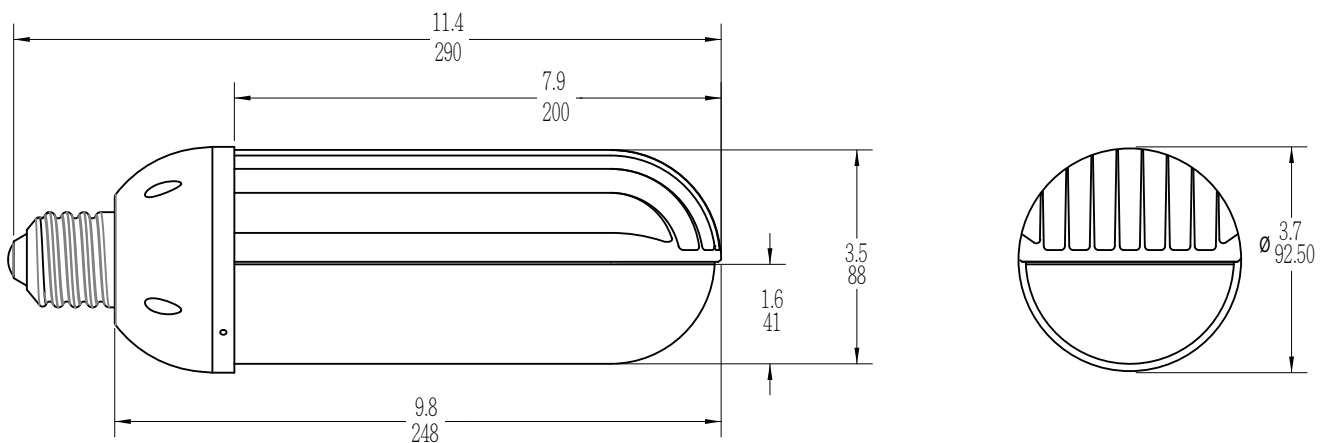
### Optics Options

**02 - Type II** / asymmetric for street and pedestrian walkway applications

#### M - Medium



### External Dimensions



# RWB E40 Series

## E40 LED Street Light Bulb

### Ordering Information

RWBE4-	Wattage	Voltage	Optics	CCT	Driver & Control *
	020 = 20Watt 040 = 40Watt 060 = 60Watt	UV = 100-277VAC HV = 200-480VAC	02M = Type II Clear Medium F2L = Type II Frosted Long	30 = 3000K 40 = 4000K 50 = 5000K	ND = Non-Dimmable DS = Daylight Sensor

NOTE: Daylight sensing is available with externally mounted NEMA / ZHAGA standard receptacle module.

### Example

Part Number	Part Description
<b>RWBE4-060UV-02M-50ND</b>	LED E40 Standard Street Light Bulb / 60 Watt / 100-277VAC / Type II Clear Medium / 5000K Cool White / Non-Dimmable

### Packaging Information

Model	Case Quantity	Dimensions (LxWxH)	Weight
RWBE4	9	35.5 x 33.5 x 33.5 cm 14 x 13 x 13 in	16.6 kg 36.5 lbs



# RWB E40 Series

## E40 LED Street Light Bulb

### Specification - Type II Clear Medium

Fixture Watts	20 W	40 W	60 W
Lumens (Total) *	3,600 lm	7,400 lm	10,800 lm
Efficacy *	180 lm / W	185 lm / W	180 lm / W
Number of LEDs & Driving Current	162@40mA	316@45mA	316@60mA
Ts - Solder Point Temp*	62°C / 144°F	68°C / 154°F	76°C / 169°F
L70 Rating @ T <sub>a</sub> 25°C	>75K Hours	>65K Hours	>50K Hours
Operational Temperature (T <sub>a</sub> )	-25° ~ 50°C / -13° ~ 122°F		
Input Voltage	100~277VAC 47~63Hz Optional 200~480VAC		
LED Model	Nichia 3030		
CRI	>85		
Lighting Control	Daylight Sensor		
Warranty	5-Year Limited		
Storage Temp. / Humidity	-25° ~ 80°C / -13° ~ 176°F		
Transient Surge Protection	6kV / 3kA ( L-L, L-G )		

\* Test data @ T<sub>a</sub>: 25°C. All lumen values have ±7% tolerance

### Specification - Type II Frosted Long

Fixture Watts	20 W	40 W	60 W
Lumens (Total) *	3,240 lm	6,680 lm	9,720 lm
Efficacy *	162 lm / W	167 lm / W	162 lm / W
Number of LEDs & Driving Current	162@40mA	316@45mA	316@60mA
Ts - Solder Point Temp*	64°C / 147°F	70°C / 158°F	79°C / 174°F
L70 Rating @ T <sub>a</sub> 25°C	>75K Hours	>65K Hours	>50K Hours
Operational Temperature (T <sub>a</sub> )	-25° ~ 50°C / -13° ~ 122°F		
Input Voltage	100~277VAC 47~63Hz Optional 200~480VAC		
LED Model	Nichia 3030		
CRI	>85		
Lighting Control	Daylight Sensor		
Warranty	5-Year Limited		
Storage Temp. / Humidity	-25° ~ 80°C / -13° ~ 176°F		
Transient Surge Protection	6kV / 3kA ( L-L, L-G )		

\* Test data @ T<sub>a</sub>: 25°C. All lumen values have ±7% tolerance

NOTE: Light intensities measured directly below fixture