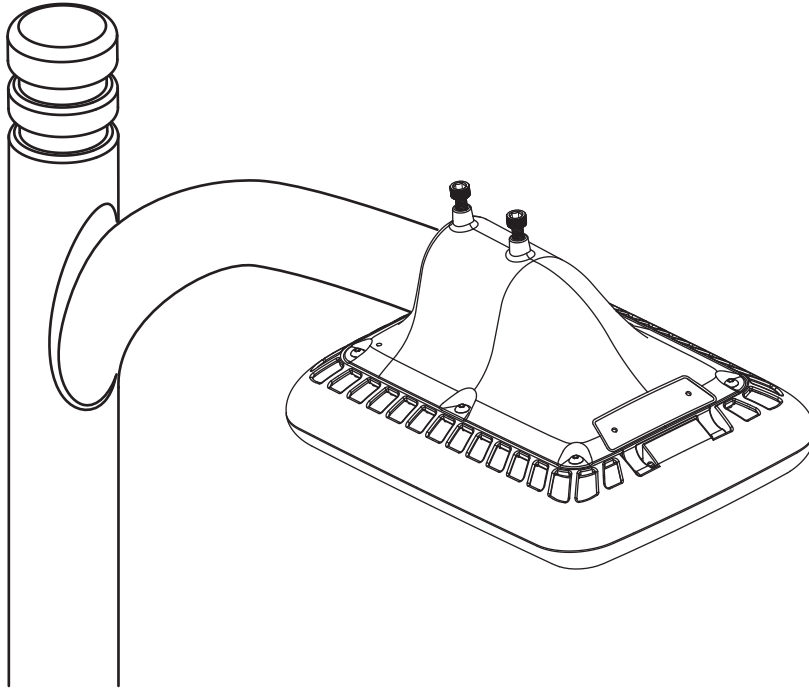


RWL3525 Series LED Roadway Lighting

INSTALLATION GUIDE

Roadway Pole Mount



ITEMS INCLUDED FOR INSTALLATION

- One RWL3525 LED Street Light
- Two Ø8mm pipe anchoring bolts
- Installation manual

FEATURES AND APPLICATIONS

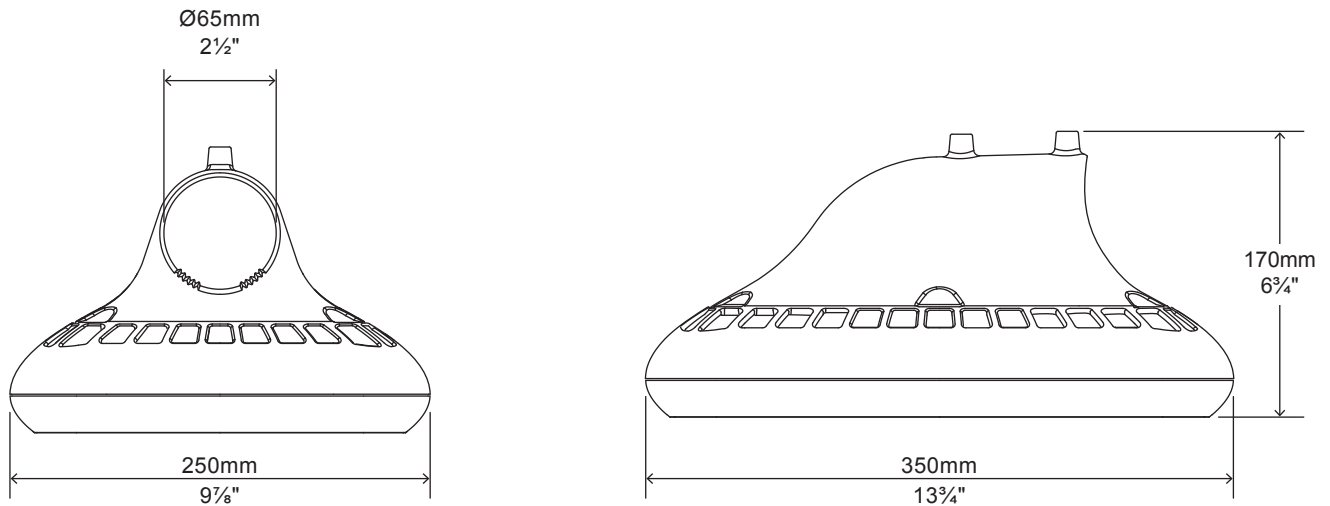
- L70 Rating @ Ta 25°C Over 150,000 hour rated life
- 10-Year Limited Warranty
- IP68 - waterproof rated fixture
- Low profile industrial grade design
- Easy to install
- Type II Street Lighting
- Type V Rectangular
- Parking Lots
- Perimeter Lighting
- Parks and Walkway Lighting

RWL3525 Series LED Roadway Lighting

INSTALLATION GUIDE

Roadway Pole Mount

External Dimensions



Packaging Information

Case Quantity	Dimensions (LxWxH)	Weight
1	38.5 x 28.5 x 23 cm 15 1/8 x 11 1/4 x 9 in	6.2 kg 13.6 lbs

WARNING

RISK OF ELECTRIC SHOCK

- Installation must be done by a certified electrician and / or qualified personnel.
- Make sure to turn OFF the main power from the circuit breaker or fuse box before installing, servicing or inspecting this fixture.
- Make sure all grounding wires are connected correctly.

RISK OF FIRE

- Ensure that all line voltage wire is intended for specified product wattage.
- Use UL and / or CE approved wires for all input connections, minimum size required 18 AWG (0.82mm²)
- Do not use this product in environments where the temperatures could exceed **50°C (122°F)**

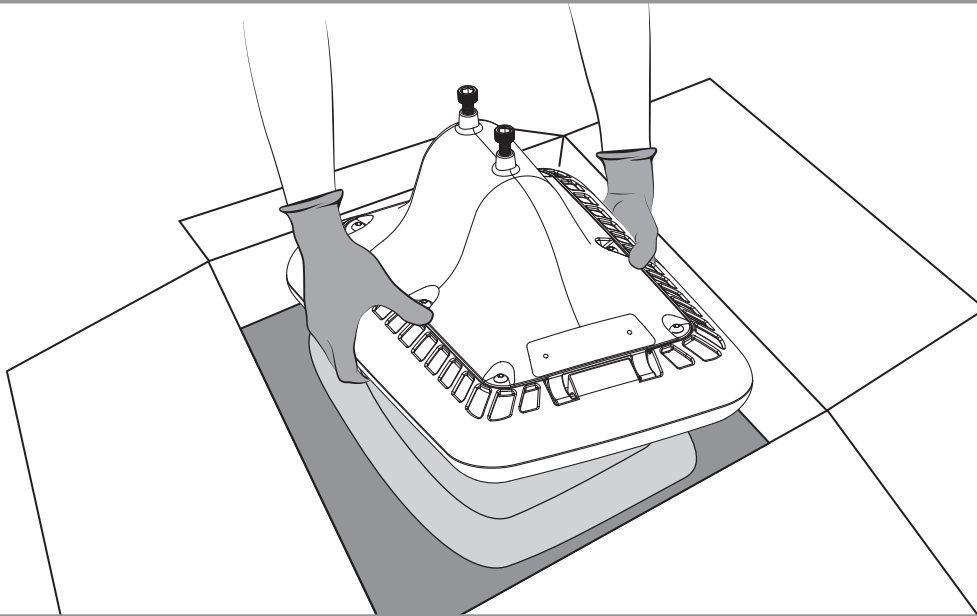
* BEFORE YOU INSTALL this fixture please read these instructions carefully and completely

RWL3525 Series LED Roadway Lighting

INSTALLATION GUIDE

Roadway Pole Mount

1.



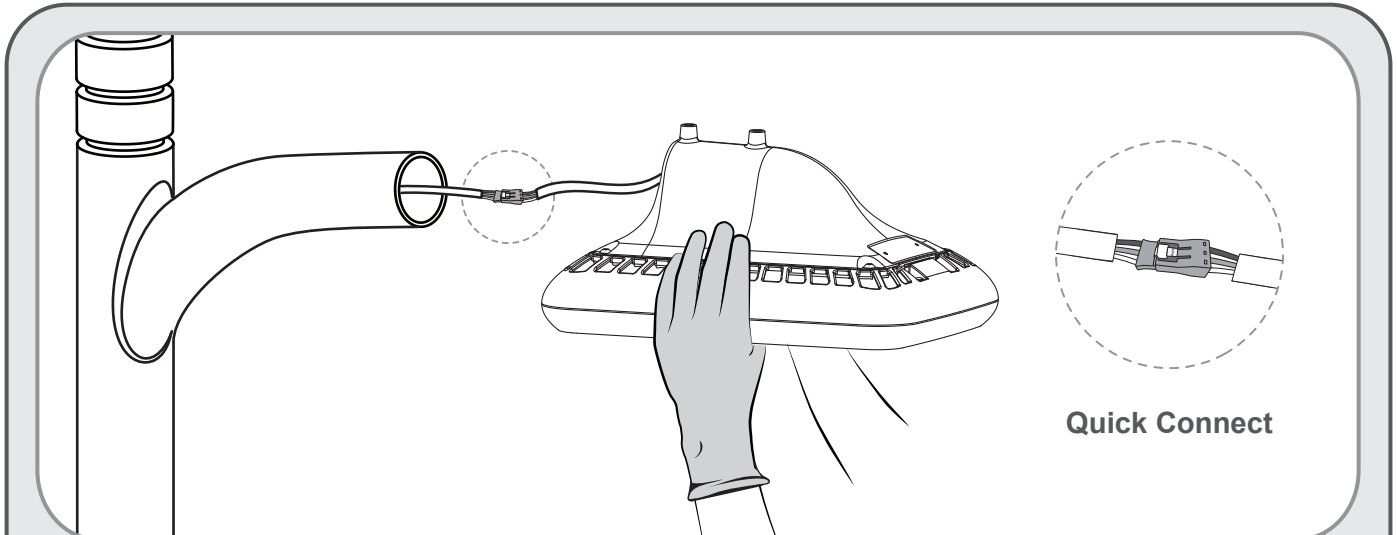
- Handle fixture with care while unpacking the unit from its packaging and carefully examine the unit for defects before installing. Report any damage and save all packing materials if any part is damaged during transport. We recommend wearing work gloves when installing this fixture to prevent dirt and oil from coming into contact with the fixture.

RWL3525 Series LED Roadway Lighting

INSTALLATION GUIDE

Roadway Pole Mount

2.



Warning!

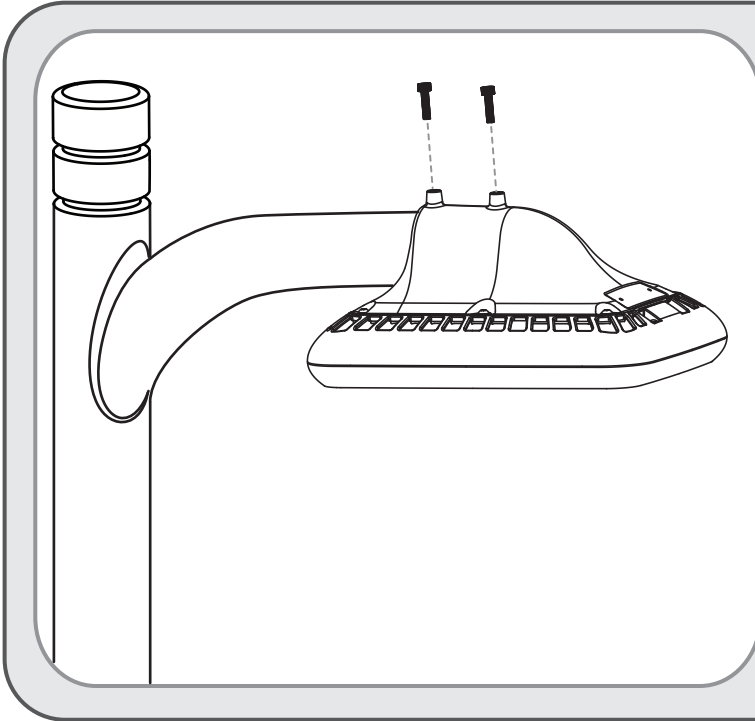
- Before connecting any AC input electrical wiring to the electric grid make sure to turn OFF power to all appropriate circuit at the breaker box.
- Connect the fixture to the AC input wire via the quick connector provided in the fixture kit. Make sure the AC input line (L) and neutral (N) from the electric grid are inserted into the corresponding slot of the quick connector (**L-BLACK & N-WHITE**).
- Align the fixture mounting hole with the pipe and firmly insert the fixture onto the pipe until it is completely in.
- Make sure that all wires are cleared.

RWL3525 Series LED Roadway Lighting

INSTALLATION GUIDE

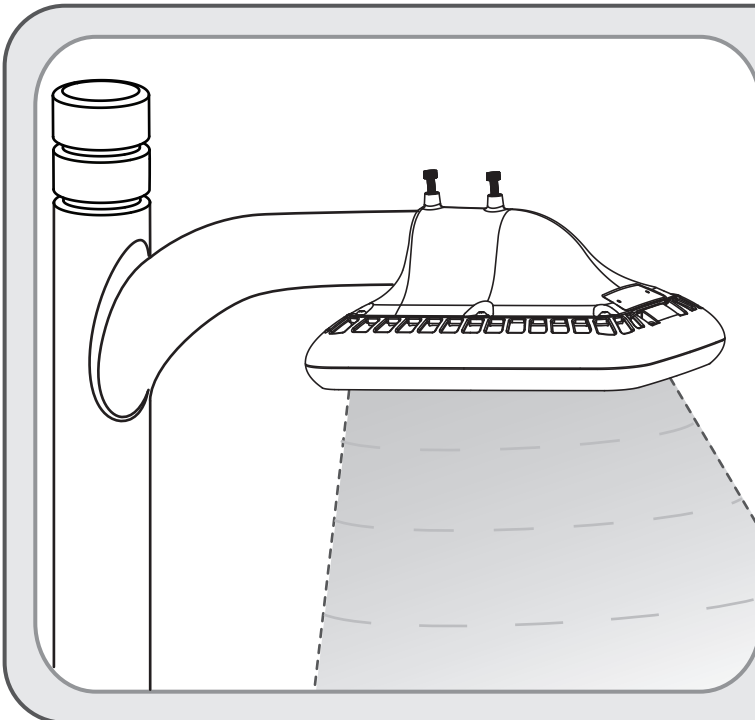
Roadway Pole Mount

3.



- Adjust the fixture by rotating the vertical center to 0° for an optimum and symmetric light distribution pattern.
- Tighten the two hexagon bolts on top of the fixture to firmly anchor the fixture onto the pole.

4.



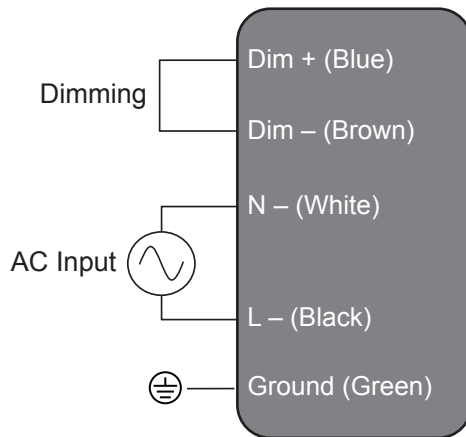
- Test fixture to make sure positioning & light distribution is correct.

RWL3525 Series LED Roadway Lighting

INSTALLATION GUIDE

Roadway Pole Mount

Wiring Information



- NOTE:**
- Ensure that all line voltage wire is intended for specified product wattage.
 - Use UL and / or CE approved wires for all input connections, minimum size required 18 AWG (0.82mm²)
 - Refer to the specific dimmer installation manual for exact wiring instructions.

WARNING

RISK OF ELECTRIC SHOCK

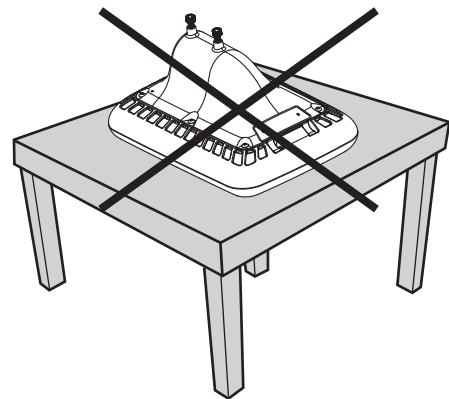
- Installation must be done by a certified electrician and / or qualified personnel.
- Make sure to turn OFF the main power from the circuit breaker or fuse box before installing, servicing or inspecting this fixture.
- Make sure all grounding wires are connected correctly.

RISK OF FIRE

- Ensure that all line voltage wire is intended for specified product wattage.
- Use UL and / or CE approved wires for all input connections, minimum size required 18 AWG (0.82mm²)
- Do not use this product in environments where the temperatures could exceed **50°C (122°F)**

NOTE

- While the fixture is **ON**, do not cover the front surface of the light fixture or place it on any flat surfaces that would cover the front air ventilation holes for more than 30 minutes. This will prevent the fixture from properly cooling via air convection and can cause the fixture to overheat & fail.



* BEFORE YOU INSTALL this fixture please read these instructions carefully and completely