

RWL600 Series

LED Area-Site Lighting



Advantages of RWL600

- Energy efficient and a cost effective LED area & site light
- Available in 30 / 50 / 70Watt configurations
- Optional solar powered DC input voltage available for 25 ~ 70 Watt systems
- Ultra-bright industry leading high efficacy up to 180 lm /W
- Field serviceable cost effective modularized light engine and LED driver
- Wide angle optics with built in 10° vertical tilt for more uniform lighting distribution
- Advanced thermal technology for maintenance free long life
- Optional smart control, daylight sensor and surge & lightning protection with externally mounted ZHAGA standard receptacle
- L70 ≥ 50,000 hours with an operating temperature of -40°C ~ 50°C
- Titanium rated high efficiency LED driver with smart circuitry
- Ideal for budgetary lighting projects
- SUS 316 marine rated stainless steel housing for superior weather and corrosion protection
- 15-year limited warranty on housing & structure
- 5 year limited warranty on light engine and LED driver

Applications

- Construction Sites
- Parking Lots
- Parks & Playgrounds
- Campuses
- Shopping Centers
- Walkways



Years Warranty



Smart Control



Wet Location



Corrosive Area



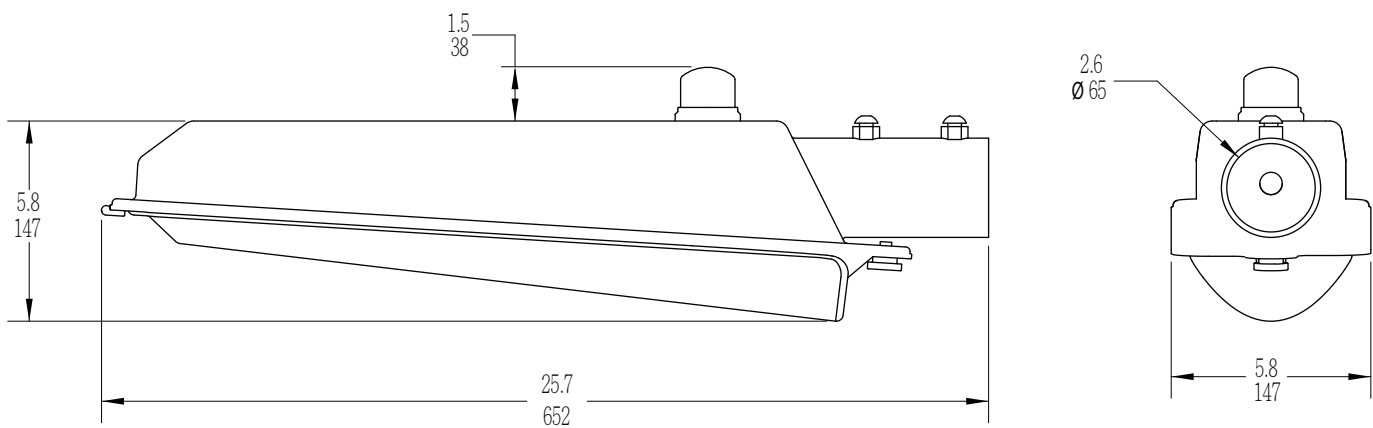
Impact Resistance

RWL600 Series

LED Area-Site Lighting



External Dimensions



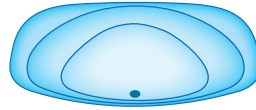
RWL600 Series

LED Area-Site Lighting - 70Watt

Optics Options

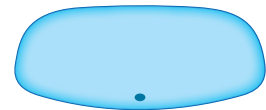
02 - Type II / asymmetric for street and pedestrian walkway applications

M - Medium



F2 - Type II Opaque - Frosted / asymmetric for ultra uniform & low glare applications

L-Long



Ordering Information

| RWL60 - | Wattage | Voltage * | Optics | CCT | Driver & Control ** |
|---------|--|---|--|--|--|
| | 030 = 30Watt 050 = 50Watt 070 = 70Watt | UV = 100-277VAC HV = 200-480VAC SP = 12-32VDC | 02M = Type II Clear Medium F2L = Type II Frosted Long | 30 = 3000K 40 = 4000K 50 = 5000K | ND = Non-Dimmable DM = Dimmable DS = Daylight Sensor SC = Smart Control |

* Input voltage 12-32VDC available only for solar powered models with DC driver ranging from 25 - 70 Watts.

** Smart control & daylight sensor available with ZHAGA standard receptacle module for AC powered models only.

Example

| Part Number | Part Description |
|----------------------|--|
| RWL60-070UV-02M-50ND | LED Area Light / 70 Watt / 100-277VAC / Type II Clear Medium / 5000K Cool White / Non-Dimmable |

Packaging Information

| Model | Case Quantity | Dimensions (LxWxH) | Weight |
|--------|---------------|---------------------------------------|-----------------|
| RWL600 | 1 | 67 x 7 x 10 cm 26.4 x 2.8 x 4 inch | 2.7 kg 6 lbs |



RWL600 Series

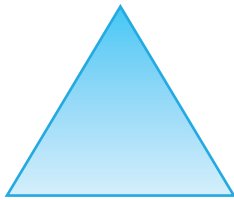
LED Area-Site Lighting - 70Watt

Specification - Type II Clear Medium

| | |
|---|---|
| Fixture Watts | 70 W |
| Lumens (Total) * | 11,900 lm |
| Efficacy * | 170 lm / W |
| Number of LEDs & Driving Current | 388@55mA |
| T _s - Solder Point Temp * | 69°C / 156°F |
| L70 Rating @ T _a 25°C | > 50K hours |
| Operational Temperature (T _a) | -40° ~ 50°C / -40° ~ 122°F |
| Input Voltage | 100~277VAC 47~63Hz Optional 200~480VAC / Solar 12-32VDC |
| LED Model | Nichia 3030 |
| CRI | 85 |
| Lighting Control | Dimmable (0-10V, PWM) / Smart Control / Daylight Sensor |
| Warranty | 5-Year Limited |
| Storage Temp. | -40° ~ 80°C / -40° ~ 176°F / IP66 Rated Fixture |
| Transient Surge Protection | 10kV / 5kA (L-L, L-G) |

* Test data @ T_a: 25°C. All lumen values have ±7% tolerance

Illumination Levels - Type II Clear



| <i>Type II - Medium</i> | | |
|-------------------------|-------|------|
| Height | LUX | FC |
| 4m / 13ft | 405 | 38 |
| 5m / 16.5ft | 296.5 | 27.5 |
| 6m / 20ft | 196 | 18 |
| 7m / 23ft | 155 | 14.5 |
| 8m / 26ft | 113 | 10.5 |

Zonal Lumen Summary

| Zone (°) | Lumens | % Fixture |
|----------|---------|-----------|
| 0-30 | 4831.4 | 40.6% |
| 0-40 | 7616.0 | 64.0% |
| 0-60 | 11459.7 | 96.3% |
| 0-90 | 11888.1 | 99.9% |
| 0-180 | 11900.0 | 100.0% |

RWL600 Series

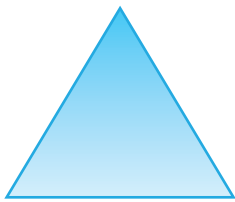
LED Area-Site Lighting - 70 Watt

Specification - Type II Frosted Long

| | |
|---|---|
| Fixture Watts | 70 W |
| Lumens (Total) * | 10,710 lm |
| Efficacy * | 153 lm / W |
| Number of LEDs & Driving Current | 388@55mA |
| T _s - Solder Point Temp * | 70°C / 158°F |
| L70 Rating @ T _a 25°C | > 50K hours |
| Operational Temperature (T _a) | -40° ~ 50°C / -40° ~ 122°F |
| Input Voltage | 100~277VAC 47~63Hz Optional 200~480VAC / Solar 12-32VDC |
| LED Model | Nichia 3030 |
| CRI | 85 |
| Lighting Control | Dimmable (0-10V, PWM) / Smart Control / Daylight Sensor |
| Warranty | 5-Year Limited |
| Storage Temp. | -40° ~ 80°C / -40° ~ 176°F / IP66 Rated Fixture |
| Transient Surge Protection | 10kV / 5kA (L-L, L-G) |

* Test data @ T_a: 25°C. All lumen values have ±7% tolerance
NOTE: Light intensities measured directly below fixture

Illumination Levels - Type II Frosted



| Type V Frosted - Long | | |
|------------------------------|-----|----|
| Height | LUX | FC |
| 3m / 9.8ft | 403 | 37 |
| 4m / 13ft | 288 | 26 |
| 5m / 16.5ft | 211 | 19 |
| 6m / 20ft | 146 | 13 |

Zonal Lumen Summary

| Zone (°) | Lumens | % Fixture |
|----------|---------|-----------|
| 0-30 | 4348.2 | 40.6% |
| 0-40 | 4926.6 | 64.0% |
| 0-60 | 10313.7 | 96.3% |
| 0-90 | 10699.2 | 99.9% |
| 0-180 | 10710.0 | 100.0% |