

# RWL600 Series

AREA-SITE APPLICATION LED LUMINAIRE



# RWL600 Series

LED Area-Site Lighting



## Product Information

The RWL600 series is a corrosion resistant, low profile and energy efficient area light offering a cost effective solution for walkways, parking lots and construction sites. It is available with an optional dusk to dawn built-in daylight sensor with a field serviceable modularized light engine and LED driver, prolonging fixture usage far beyond its warranty period.

The RWL600 incorporates the industry's highest efficacy light output and ultra-wide angle optics delivering outstanding visibility while improving the safety and security for area lighting applications. Advanced thermal technology enables low LED junction temperatures (Tj) for maintenance free long life.

US & International patents pending

## Applications

- Construction Sites
- Parking Lots
- Parks & Playgrounds
- Campuses
- Shopping Centers
- Walkways

# RWL600 Series

## LED Area-Site Lighting



Years Warranty



Smart Control



Wet Location



Corrosive Area



Impact Resistance

### Advantages of RWL600

- Energy efficient and a cost effective LED area & site light
- Available in 30 / 50 / 70Watt configurations
- Optional solar powered DC input voltage available for 25 ~ 70 Watt systems
- Ultra-bright industry leading high efficacy up to 180 lm /W
- Field serviceable cost effective modularized light engine and LED driver
- Wide angle optics with built in 10° vertical tilt for more uniform lighting distribution
- Advanced thermal technology for maintenance free long life
- Optional smart control, daylight sensor and surge & lightning protection with externally mounted ZHAGA standard receptacle
- L70 ≥ 50,000 hours with an operating temperature of -40°C ~ 50°C
- Titanium rated high efficiency LED driver with smart circuitry
- Ideal for budgetary lighting projects
- SUS 316 marine rated stainless steel housing for superior weather and corrosion protection
- 15-year limited warranty on housing & structure
- 5 year limited warranty on light engine and LED driver
- Designed and Engineered in the USA

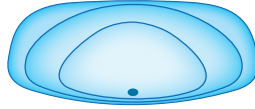
# RWL600 Series

LED Area-Site Lighting

## Optics Options

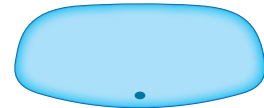
**02 - Type II** / asymmetric for street and pedestrian walkway applications

**M - Medium**

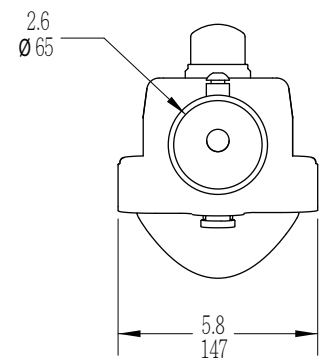
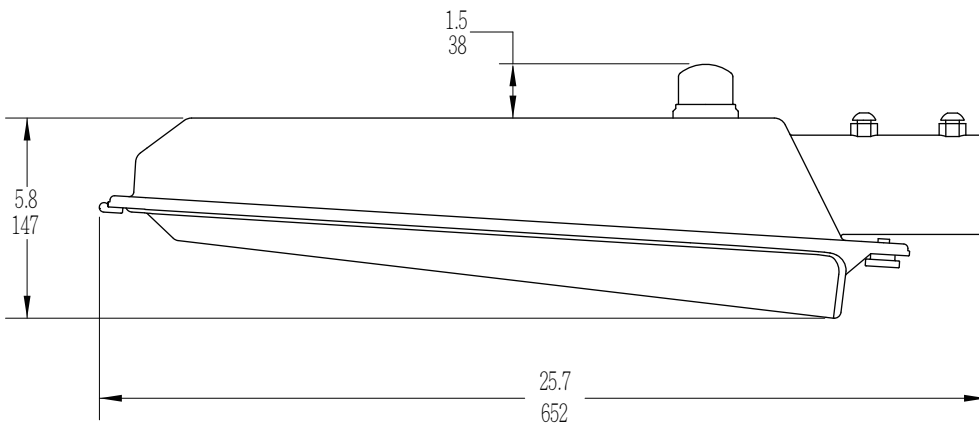


**F2 - Type II Opaque - Frosted** / asymmetric for ultra uniform & low glare applications

**L-Long**



## External Dimensions



# RWL600 Series

## LED Area-Site Lighting

### Ordering Information

RWL60 -	Wattage	Voltage *	Optics	CCT	Driver & Control **
	030 = 30Watt 050 = 50Watt 070 = 70Watt	UV = 100-277VAC HV = 200-480VAC SP = 12-32VDC	02M = Type II Clear Medium F2L = Type II Frosted Long	30 = 3000K 40 = 4000K 50 = 5000K	ND = Non-Dimmable DM = Dimmable DS = Daylight Sensor SC = Smart Control

\* Input voltage 12-32VDC available only for solar powered models with DC driver ranging from 25 - 70 Watts.

\*\* Smart control & daylight sensor available with ZHAGA standard receptacle module for AC powered models only.

### Example

Part Number	Part Description
<b>RWL60-030UV-02M-50ND</b>	LED Area Light / 30 Watt / 100-277VAC / Type II Clear Lens Medium / 5000K Cool White / Non-Dimmable

### Packaging Information

Model	Case Quantity	Dimensions (LxWxH)	Weight
RWL600	1	67 x 7 x 10 cm 26.4 x 2.8 x 4 inch	2.7 kg 6 lbs



# RWL600 Series

## LED Area-Site Lighting

### Specification - Type II Clear Medium

Fixture Watts	30 W	50 W	70 W
Lumens (Total) *	5,340 lm	8,700 lm	11,900 lm
Efficacy *	178 lm / W	174 lm / W	170 lm / W
Number of LEDs & Driving Current	180@50mA	280@55mA	388@55mA
T <sub>s</sub> - Solder Point Temp *	56°C / 133°F	62°C / 144°F	69°C / 156°F
L70 Rating @ T <sub>a</sub> 25°C	> 65K hours	> 55K hours	> 50K hours
Operational Temperature (T <sub>a</sub> )	-40° ~ 50°C / -40° ~ 122°F		
Input Voltage	100~277VAC 47~63Hz Optional 200~480VAC / Solar 12-32VDC		
LED Model	Nichia 3030		
CRI	85		
Lighting Control	Dimmable (0-10V, PWM) / Smart Control / Daylight Sensor		
Warranty	5-Year Limited		
Storage Temp.	-40° ~ 80°C / -40° ~ 176°F / IP66 Rated Fixture		
Transient Surge Protection	10kV / 5kA (L-L, L-G)		

\* Test data @ T<sub>a</sub>: 25°C. All lumen values have ±7% tolerance

### Specification - Type II Frosted Long

Fixture Watts	30 W	50 W	70 W
Lumens (Total) *	4,800 lm	7,850 lm	10,710 lm
Efficacy *	160 lm / W	157 lm / W	153 lm / W
Number of LEDs & Driving Current	180@50mA	280@55mA	388@55mA
T <sub>s</sub> - Solder Point Temp *	56°C / 133°F	63°C / 145°F	70°C / 158°F
L70 Rating @ T <sub>a</sub> 25°C	> 65K hours	> 55K hours	> 50K hours
Operational Temperature (T <sub>a</sub> )	-40° ~ 50°C / -40° ~ 122°F		
Input Voltage	100~277VAC 47~63Hz Optional 200~480VAC / Solar 12-32VDC		
LED Model	Nichia 3030		
CRI	85		
Lighting Control	Dimmable (0-10V, PWM) / Smart Control / Daylight Sensor		
Warranty	5-Year Limited		
Storage Temp.	-40° ~ 80°C / -40° ~ 176°F / IP66 Rated Fixture		
Transient Surge Protection	10kV / 5kA (L-L, L-G)		

\* Test data @ T<sub>a</sub>: 25°C. All lumen values have ±7% tolerance

NOTE: Light intensities measured directly below fixture