

# RWVLI Series

ROADWAY APPLICATION LED LUMINARE



# RWLII Series

LED Roadway Lighting



## Product Information

The RWLII series is a classic round shaped roadway luminaire with the latest technologies to offer great flexibility for all basic street lighting projects. Its proprietary optical system enables high efficacy, glare-free uniform lighting creating a safe and attractive environment while reducing the carbon footprint for municipalities.

RWLII provides a higher value to cities by maximizing energy savings and lowering maintenance costs. This IP68-rated street light is designed to withstand the most challenging outdoor weather conditions and comes with an industry leading 10-year limited warranty.

Patent No. US 8,272,765 B2 - US 8,757,842 B2 - US 9,383,084 B2  
Other US and international patents pending

## Applications

- Residential Streets
- Urban Roads
- Motorways
- Boulevards
- Perimeters
- Parking Lots

# RWLII Series

LED Roadway Lighting



Years Warranty



Wet Location



Impact Resistance

## Advantages of RWLII

- Available in 100 ~ 220 Watt configurations with various optics
- Ultra-bright high efficacy up to 170 lm / W
- Proprietary reflector optics enabling glare-free uniform lighting, eliminating the need for costly and fragile plastic lenses
- Advanced thermal technology enables low LED junction temperatures (Tj) for maintenance free long life
- IP68 rated tri-proof (dust, vapor & water-proof) luminaire
- Dark Sky compliant / full cut-off optics
- Available with versatile mounting options for various street lighting applications
- Titanium rated high efficiency LED driver with smart circuitry
- L70 ≥ 150,000 hours with an exceptional 10-year limited warranty
- Designed and engineered in the USA

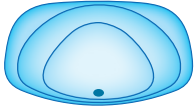
# RWLII Series

## LED Roadway Lighting

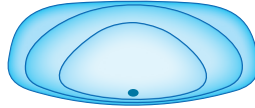
### Optic Options

**02 - Type II** / asymmetric for street and pedestrian walkway applications

**S - Short**

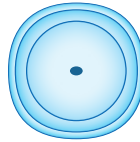


**M - Medium**



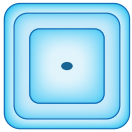
**R5 - Type V Round** / symmetric for street, parking lot and pedestrian walkway applications

**M - Medium**



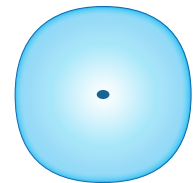
**S5 - Type V Square** / symmetric for street, parking lot and pedestrian walkway applications

**S - Short**

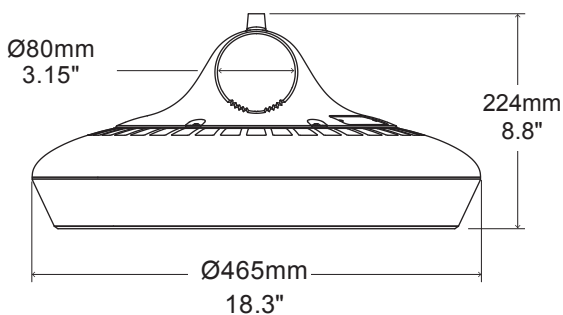


**F5 - Type V Opaque - Frosted** / symmetric for ultra uniform & low glare applications

**L - Long**



### External Dimensions



### Packaging Information

Quantity	Dimensions (LxWxH)	Weight
1	50 x 50 x 31 cm 19.7 x 19.7 x 12.2 in	13 kg 28.6 lbs

# RWLII Series

## LED Roadway Lighting

### Ordering Information

RWLII	Wattage	Voltage	Optics	Pitch	CCT	Driver & Control
	100 = 100W 125 = 125W 150 = 150W 185 = 185W 220 = 220W	UV = 100-277VAC HV = 200-480VAC DV = 127-390VDC	02 = Type II R5 = Type V Round S5 = Type V Square F5 = Type V Frosted	S = Short M = Medium L = Long	30 = 3000K 40 = 4000K 50 = 5000K	ND = Non-Dimmable DM = Dimmable

NOTE: Gray is the standard exterior color.

### Example

Part Number	Part Description
<b>RWLII150UV-R5M-50DM</b>	LED Roadway Light / 150 Watt / 100-277VAC / Type V Round / Medium Pitch / 5000K Cool White / Dimmable

### Specification - Type II Short

Fixture Watts	100 W	125 W	150 W	185 W	220 W
Lumens (Total)*	15,100 lm	18,625 lm	21,450 lm	25,160 lm	28,600 lm
Efficacy *	151 lm / W	149 lm / W	143 lm / W	136 lm / W	130 lm / W
Number of LEDs & Driving Current	96@355mA	96@440mA	96@515mA	96@625mA	96@730mA
T <sub>s</sub> - Solder Point Temp *	52°C / 125°F	55°C / 131°F	59°C / 138°F	64°C / 147°F	68°C / 154°F
L70 Rating @ T <sub>a</sub> 25°C	>185K hours	>180K hours	>175K hours	>160K hours	>150K hours
Operational Temperature (T <sub>a</sub> )	-40° ~ 55°C / -40° ~ 131°F				
Input Voltage	100~277VAC 47~63Hz Optional 200~480VAC / 127~390VDC				
LED Model	Lumileds / Nichia / Cree				
CRI	>75				
Lighting Control	Dimmable (0-10V, PWM)				
Warranty	10-Year Limited				
Storage Temp. / Humidity	-50° ~ 80°C / -58° ~ 176°F / IP68 Rated Fixture				
Transient Surge Protection	10kV / 5kA (L-L, L-G) Optional 20kV / 10kA				

\* Test data @ T<sub>a</sub>: 25°C. All lumen values have ±7% tolerance



# RWLII Series

## LED Roadway Lighting

### Specification - Type II Medium

Fixture Watts	100 W	125 W	150 W	185 W	220 W
Lumens (Total)*	14,600 lm	17,875 lm	20,700 lm	24,235 lm	27,500 lm
Efficacy *	146 lm / W	143 lm / W	138 lm / W	131 lm / W	125 lm / W
Number of LEDs & Driving Current	96@355mA	96@440mA	96@515mA	96@625mA	96@730mA
T <sub>s</sub> - Solder Point Temp *	52°C / 125°F	55°C / 131°F	59°C / 138°F	64°C / 147°F	68°C / 154°F
L70 Rating @ T <sub>a</sub> 25°C	>185K hours	>180K hours	>175K hours	>160K hours	>150K hours
Operational Temperature (T <sub>a</sub> )	-40° ~ 55°C / -40° ~ 131°F				
Input Voltage	100~277VAC 47~63Hz Optional 200~480VAC / 127~390VDC				
LED Model	Lumileds / Nichia / Cree				
CRI	>75				
Lighting Control	Dimmable (0-10V, PWM)				
Warranty	10-Year Limited				
Storage Temp. / Humidity	-50° ~ 80°C / -58° ~ 176°F / IP68 Rated Fixture				
Transient Surge Protection	10kV / 5kA (L-L, L-G) Optional 20kV / 10kA				

\* Test data @ T<sub>a</sub>: 25°C. All lumen values have ±7% tolerance

### Specification - Type V Round Medium

Fixture Watts	100 W	125 W	150 W	185 W	220 W
Lumens (Total)*	16,600 lm	19,625 lm	22,800 lm	27,750 lm	32,340 lm
Efficacy *	166 lm / W	157 lm / W	152 lm / W	150 lm / W	147 lm / W
Number of LEDs & Driving Current	112@305mA	112@375mA	112@440mA	112@535mA	112@625mA
T <sub>s</sub> - Solder Point Temp *	50°C / 122°F	53°C / 127°F	56°C / 133°F	61°C / 142°F	66°C / 151°F
L70 Rating @ T <sub>a</sub> 25°C	>185K hours	>180K hours	>175K hours	>160K hours	>150K hours
Operational Temperature (T <sub>a</sub> )	-40° ~ 55°C / -40° ~ 131°F				
Input Voltage	100~277VAC 47~63Hz Optional 200~480VAC / 127~390VDC				
LED Model	Lumileds / Nichia / Cree				
CRI	>75				
Lighting Control	Dimmable (0-10V, PWM)				
Warranty	10-Year Limited				
Storage Temp. / Humidity	-50° ~ 80°C / -58° ~ 176°F / IP68 Rated Fixture				
Transient Surge Protection	10kV / 5kA (L-L, L-G) Optional 20kV / 10kA				

\* Test data @ T<sub>a</sub>: 25°C. All lumen values have ±7% tolerance

# RWLII Series

## LED Roadway Lighting

### Specification - Type V Square Short

Fixture Watts	100 W	125 W	150 W	185 W	220 W
Lumens (Total)*	15,700 lm	18,500 lm	21,450 lm	26,085 lm	30,360 lm
Efficacy *	157 lm / W	148 lm / W	143 lm / W	141 lm / W	138 lm / W
Number of LEDs & Driving Current	112@305mA	112@375mA	112@440mA	112@535mA	112@625mA
T <sub>s</sub> - Solder Point Temp *	51°C / 124°F	54°C / 129°F	57°C / 135°F	62°C / 144°F	68°C / 154°F
L70 Rating @ T <sub>a</sub> 25°C	>185K hours	>180K hours	>175K hours	>160K hours	>150K hours
Operational Temperature (T <sub>a</sub> )	-40° ~ 55°C / -40° ~ 131°F				
Input Voltage	100~277VAC 47~63Hz Optional 200~480VAC / 127~390VDC				
LED Model	Lumileds / Nichia / Cree				
CRI	>75				
Lighting Control	Dimmable (0-10V, PWM)				
Warranty	10-Year Limited				
Storage Temp. / Humidity	-50° ~ 80°C / -58° ~ 176°F / IP68 Rated Fixture				
Transient Surge Protection	10kV / 5kA (L-L, L-G) Optional 20kV / 10kA				

\* Test data @ T<sub>a</sub>: 25°C. All lumen values have ±7% tolerance

### Specification - Type V Frosted Long

Fixture Watts	100 W	125 W	150 W	185 W	220 W
Lumens (Total)*	14,200 lm	16,750 lm	19,500 lm	23,680 lm	27,500 lm
Efficacy *	142 lm / W	134 lm / W	130 lm / W	128 lm / W	125 lm / W
Number of LEDs & Driving Current	112@305mA	112@375mA	112@440mA	112@535mA	112@625mA
T <sub>s</sub> - Solder Point Temp *	51°C / 124°F	54°C / 129°F	56°C / 133°F	61°C / 142°F	67°C / 153°F
L70 Rating @ T <sub>a</sub> 25°C	>185K hours	>180K hours	>175K hours	>160K hours	>150K hours
Operational Temperature (T <sub>a</sub> )	-40° ~ 55°C / -40° ~ 131°F				
Input Voltage	100~277VAC 47~63Hz Optional 200~480VAC / 127~390VDC				
LED Model	Lumileds / Nichia / Cree				
CRI	>75				
Lighting Control	Dimmable (0-10V, PWM)				
Warranty	10-Year Limited				
Storage Temp. / Humidity	-50° ~ 80°C / -58° ~ 176°F / IP68 Rated Fixture				
Transient Surge Protection	10kV / 5kA (L-L, L-G) Optional 20kV / 10kA				

\* Test data @ T<sub>a</sub>: 25°C. All lumen values have ±7% tolerance

NOTE: Light intensities measured directly below fixture