

RWLI Series LED Roadway Lighting

LED Driver Electrical and Dimming Control Specification 100-220Watt

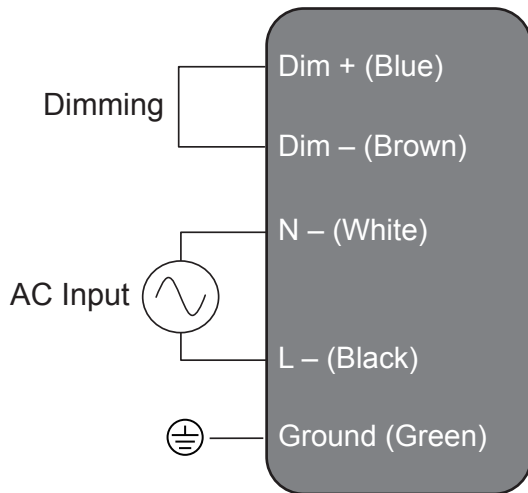


INPUT	VOLTAGE RANGE <small>Note.4</small>	100~277VAC 47~63Hz Optional 200~480VAC / 127~390VDC				
	FREQUENCY RANGE	50 ~ 60Hz				
	POWER FACTOR (Typ.)	PF>0.98/115VAC, PF>0.95/230VAC, PF>0.92/277VAC at full load				
	EFFICIENCY (Typ.)	(TYP.) 93 - 95%				
	INRUSH CURRENT (Typ.)	COLD START 500A/230VAC				
	LEAKAGE CURRENT	<0.75mA / 277VAC				
	TOTAL HARMONIC DISTORT.	THD ≤ 10% @ 230VAC full load				
	INPUT CURRENT	100 WATT	120 WATT	150 WATT	185 WATT	220 WATT
	1.2A / 115VAC 0.55A / 230VAC 0.50A / 277VAC	1.4A / 115VAC 0.60A / 230VAC 0.55A / 277VAC	1.7A / 115VAC 0.75A / 230VAC 0.7A / 277VAC	2.1A / 115VAC 0.90A / 230VAC 0.80A / 277VAC	3.6A / 115VAC 1.80A / 230VAC 1.08A / 277VAC	
MAX. No. of PSUs on 16A CIRCUIT BREAKER	4 units (circuit breaker of type B) / 7 units (circuit breaker of type C) at 230VAC					
PROTECTION	OVER CURRENT	95 ~ 108%				
	SHORT CIRCUIT	Protection type: Constant current limiting, recovers automatically after fault condition is removed				
	OVER VOLTAGE	Protection type: Shut down o/p voltage with auto-recovery or re-power on to recovery				
	OVER TEMPERATURE	100°C ± 10°C(RTH2) Protection type: Shut down o/p voltage, recovers automatically after temperature goes down				
ENVIRONMENT	VIBRATION	10 ~ 500Hz, 5G 12min./1cycle, period for 72min. each along X, Y, Z axes				
SAFETY & EMC	SAFETY STANDARDS <small>Note.6</small>	UL8750, CSA C22.2 No. 250.0-08, EN61347-1, EN61347-2-13 independent IP65 or IP67, J61347-1, J61347-2-13 approved ; design refer to UL60950-1, TUV EN60950-1				
	WITHSTAND VOLTAGE	10kV / 5kA (L-L, L-G)				
	ISOLATION RESISTANCE	I/P-O/P, I/P-FG, O/P-FG: 100M Ohms / 500VDC / 25°C/ 70% RH				
	EMC EMISSION	Compliance to EN55015, EN55022 (CISPR22) Class B, EN61000-3-2 Class C (≥50% load) ; EN61000-3-3				
	EMC IMMUNITY	Compliance to EN61000-4-2,3,4,5,6,8,11, EN61547, EN55024, light industry level (surge 4KV), criteria A				
NOTE	<ol style="list-style-type: none"> All parameters NOT specially mentioned are measured at 230VAC input, rated load and 25°C of ambient temperature. Ripple & noise are measured at 20MHz of bandwidth by using a 12" twisted pair-wire terminated with a 0.1uf & 47uf parallel capacitor. Tolerance: includes set up tolerance, line regulation and load regulation. Derating may be needed under low input voltages. Please check the static characteristics for more details. Safety and EMC design refer to EN60598-1, CNS15233, GB7000.1, FCC part18. Length of set up time is measured at cold first start. Turning ON/OFF the power supply may lead to increase of the set up time. The power supply is considered as a component that will be operated in combination with final equipment. Since EMC performance will be affected by the complete installation, the final equipment manufacturers must re-qualify EMC Directive on the complete installation again. Refer to warranty statement. 					

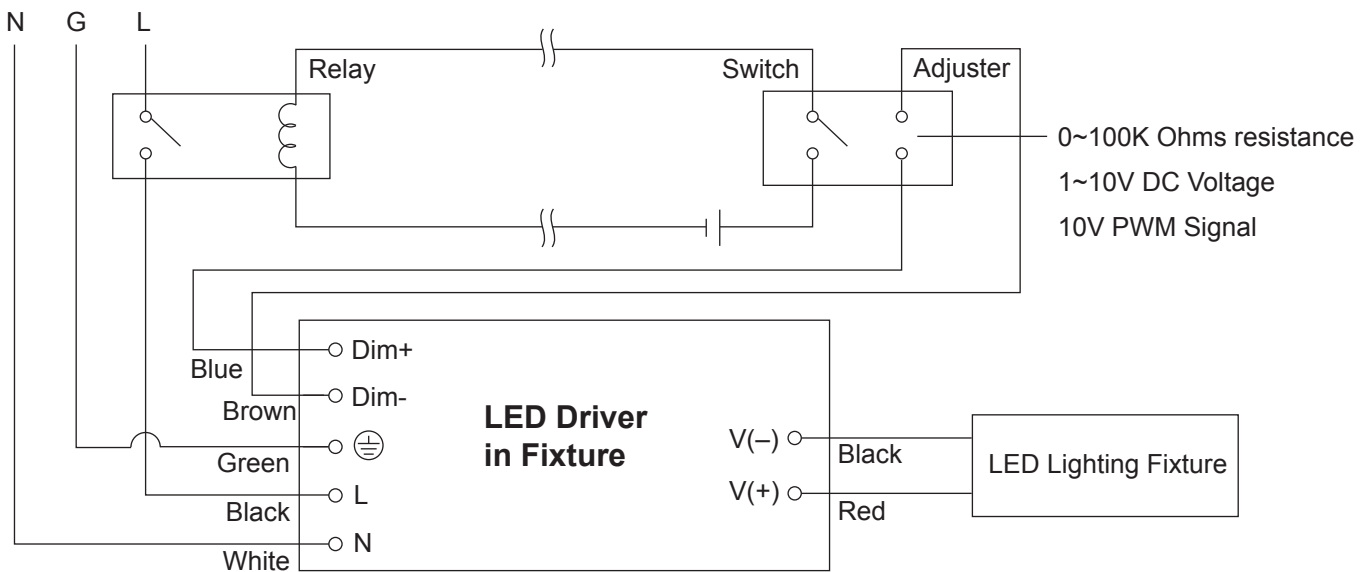
RWLI Series LED Roadway Lighting

LED Driver Electrical and Dimming Control Specification 100-220Watt

Dimming connection diagram



Input Wires



Using a switch and relay can turn ON/OFF the lighting fixture.

1. Output constant current level can be adjusted through output cable by connecting a or 1~10Vdc or 10V PWM signal resistance between Dim+ and Dim-.
2. The LED lighting fixture can be turned ON/OFF by the switch.